

JK-8991

零件样本

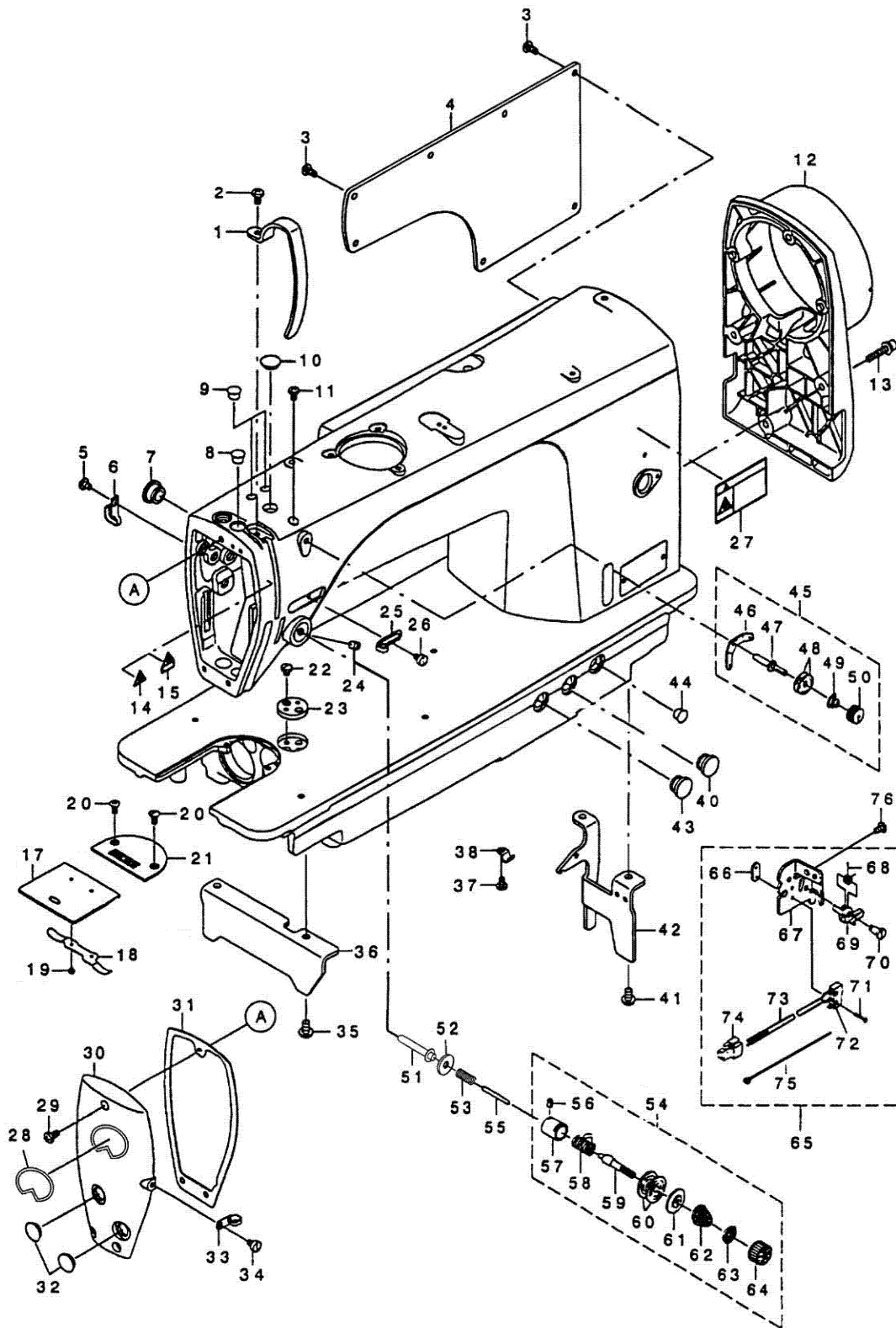
PARTS BOOK

**New JACK Sewing
Machine**

2013 年 4 月版

Revised edition in April, 2013

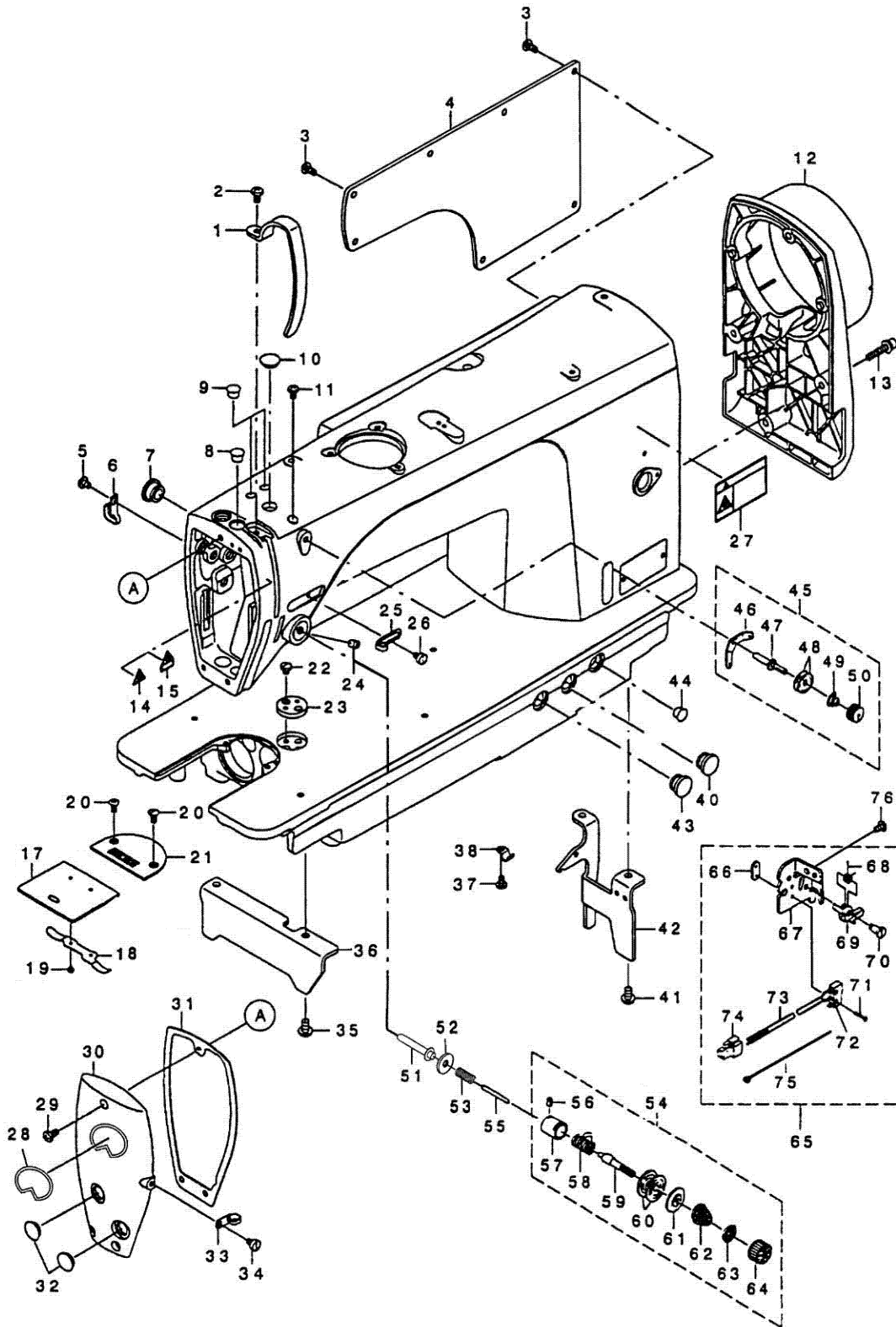
一、机壳盖板、组件 Machine frame & Miscellaneous cover components



一、机壳盖板、组件 Machine frame & Miscellaneous cover components

| 序号 Ref.No. | 件号 PartNo. | 参考件号 Ref.Part No. | 名 称 | Description | 数量 Amt. |
|---------------|---------------|----------------------|-----------------------|--------------------------------|------------|
| 1 | 300249 | 236-00505 | 挑线杆护罩 | Thread take-up lever cover | 1 |
| 2 | 101S11001 | SS-4120915-SP | 螺钉SM3/16"×28 L=9 | Screw SM3/16"×28 L=9 | 1 |
| 3 | 101S11001 | SS-4120915-SP | 螺钉SM3/16"×28 L=9 | Screw SM3/16"×28 L=9 | 7 |
| 4 | 11412002 | 236-00208 | 后窗板 | Slide plate | 1 |
| 5 | 101S11001 | SS-4120915-SP | 螺钉SM3/16"×28 L=9 | Screw SM3/16"×28 L=9 | 1 |
| 6 | 11412051 | 135-30001 | 弯钩 | Upper shaft front metal oil wi | 1 |
| 7 | 11422003 | TA-1470704-R0 | 孔塞 | Rubber plug | 1 |
| 8 | 10122013 | B1405-012-000 | 针杆上衬套孔塞 | Rubber plug | 1 |
| 9 | 10122005 | TA-0850604-R0 | 挑线连杆销螺孔塞 | Rubber plug | 2 |
| 10 | 10122004 | TA-1250705-R0 | 针杆曲柄螺孔塞 | Rubber plug | 1 |
| 11 | 101S11001 | SS-4120915-SP | 螺钉SM3/16"×28 L=9 | Screw SM3/16"×28 L=9 | 1 |
| 12 | 11401054 | 236-00604 | 电机罩(塑料) | Pulley cover | 1 |
| | 11401055 | | 电机罩(塑料无字) | Pulley cover | 1 |
| 13 | 114S30001 | SL-6052592-TN | 螺栓(内六角) | Bolt | 4 |
| 14 | 11437002 | CM-3002000-01 | 注意危险 | Attention seal | 1 |
| 15 | 11437003 | | 标签(16) | Lable(16) | 1 |
| 16 | 1011500200 | 229-01250 | 推板组件 | Slide plate asm | 1 |
| 17 | 10115002 | 229-01201 | 推板 | Slide plate | 1 |
| 18 | 10127009 | 229-01300 | 推板簧 | Slide plate spring | 1 |
| 19 | 101S11019 | SS-6060210-SP | 推板簧螺钉SM3/32"×56 L=1.9 | Screw SM2/32"×56 L=1.9 | 2 |
| 20 | 104S17002 | SS-2110920-TP | 针板螺钉(进口) | Screw | 2 |
| 21 | 10115001 | B119-012-10B | 针板 | Throat plate | 1 |
| 22 | 114S11006 | SS-7110540-SP | 卷边器座螺钉 | Screw | 2 |
| 23 | 11412040 | 229-02605 | 卷边器座 | Ruler stop seat | 1 |
| 24 | 101S15006 | SS-8150710-TP | 夹线器螺钉 | Screw | 1 |
| 25 | 10113004 | 236-26104 | 右线钩 | Arm thread guide A | 1 |
| 26 | 101S11007 | SS-6110610-TP | 螺钉SM11/64"×40 L=6 | Screw SM11/64"×40 L=6 | 1 |
| 27 | 11237003 | CM-3002001-01 | 警告标记 | Safety laber | 1 |
| 28 | 11437001 | | 商标牌 | Plate | 1 |
| 29 | 101S11001 | SS-4120915-SP | 螺钉SM3/16"×28 L=9 | Screw SM3/16"×28 L=9 | 3 |
| 30 | 11401001 | 236-00307 | 面板 | Face plate | 1 |
| 31 | 11422001 | 236-00406 | 面板垫 | Face plate packing | 1 |
| 32 | 10122003 | TA-1250406-R0 | 面板调节螺孔塞 | Rubber plug | 2 |
| 33 | 11413013 | 229-20607 | 左线钩 | Arm thread guide B | 1 |
| 34 | 101S11007 | SS-6110610-TP | 螺钉SM11/64"×40 L=6 | Screw SM11/64"×40 L=6 | 1 |
| 35 | 101S11026 | SS-4120915-SP | 螺钉SM15/64"×28 L=9 | Screw SM15/64"×28 L=9 | 2 |
| 36 | 11412004 | 236-00703 | 支撑板 | Bed stud A | 1 |
| 37 | 101S11001 | SS-4120915-SP | 螺钉SM3/16"×28 L=9 | Screw SM3/16"×28 L=9 | 1 |
| 38 | 11412006 | B3538-112-000 | 软管压板 | Oil return tube holder | 1 |
| 40 | 11402033 | | 泄气阀 | Leak gas valve | 1 |
| 41 | 101S11026 | SS-4120915-SP | 螺钉SM15/64"×28 L=9 | Screw SM15/64"×28 L=9 | 2 |
| 42 | 11412005 | 236-00802 | 后支撑板 | Bed stud B | 1 |
| 43 | 11422051 | TA-1250705-R0 | 橡皮塞 | Rubber plug | 1 |

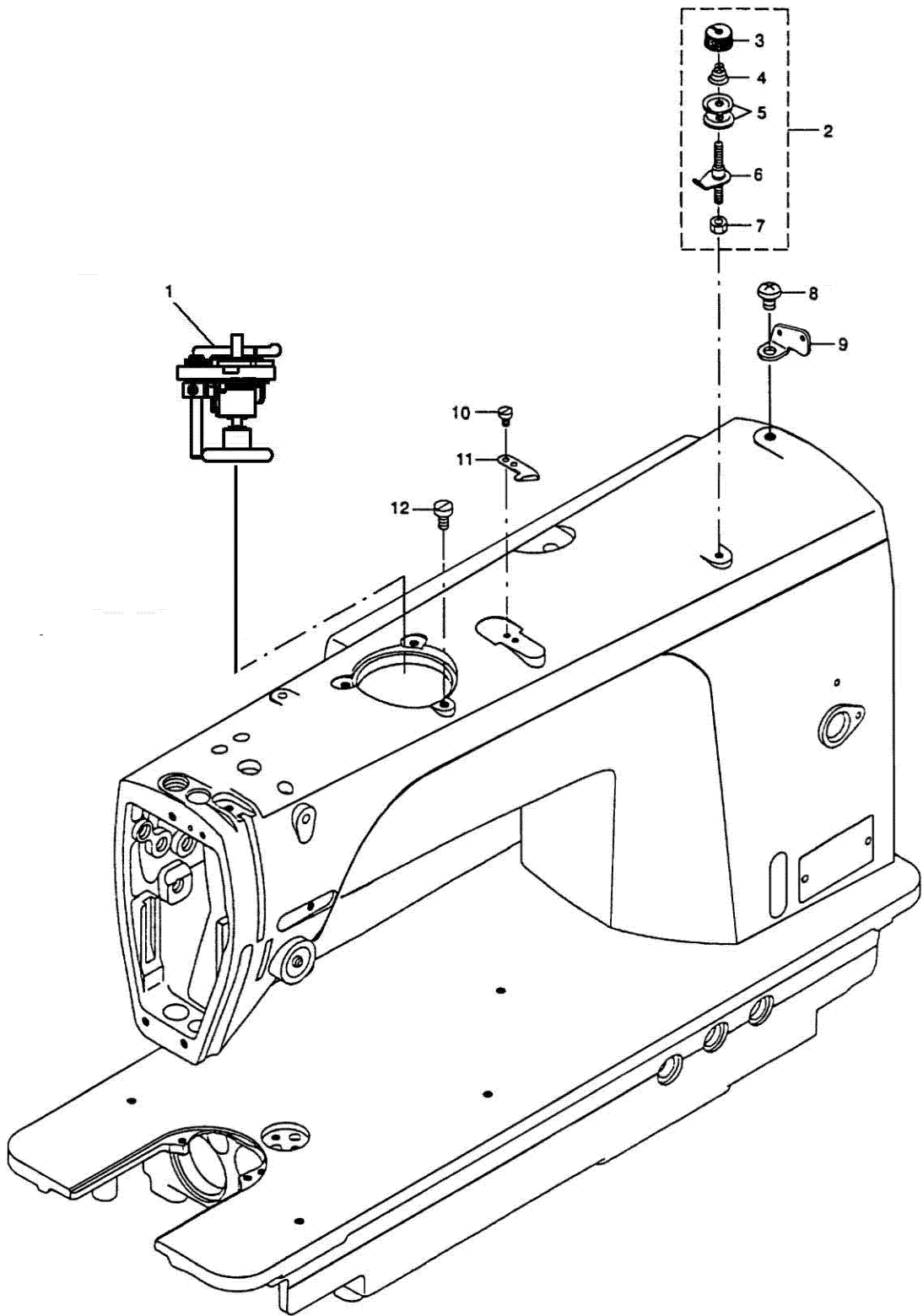
一、机壳盖板、组件 Machine frame & Miscellaneous cover components



一、机壳盖板、组件 Machine frame & Miscellaneous cover components

| 序号 Ref. No. | 件号 PartNo. | 参考件号 Ref. Part No. | 名 称 | Description | 数量 Amt. |
|----------------|---------------|-----------------------|-------------------|--------------------------------|------------|
| 45 | 1141300400 | 229-45455 | 小夹线器组件 | Thread tension asm, No. 1 | 1 |
| 46 | 11212003 | 229-45604 | 小过线倒板 | Thread tension guide | 1 |
| 47 | 112S30001 | 229-45406 | 小夹线器螺钉 | Thread tension post | 1 |
| 48 | 11212004 | 229-45802 | 小夹线板 | Thread tension disk | 2 |
| 49 | 11227001 | 229-45505 | 小夹线弹簧 | Thread tension spring | 1 |
| 50 | 112S16001 | 229-45703 | 小夹线螺母 | Thread tension nut | 1 |
| 51 | 10126003 | 110-18306 | 松线辅钉 | Tension release supporting pin | 1 |
| 52 | 10128001 | 110-19007 | 松线辅钉垫片 | Washer plate | 1 |
| 53 | 10127003 | 110-18405 | 松线辅钉弹簧 | Tension release pin spring | 1 |
| 54 | 400507 | 236-26054 | 夹线器组件 | Thread tension asm. | 1 |
| 55 | 10126002 | B3118-552-F00 | 松线钉 | Thread release pin | 1 |
| 56 | 101S15005 | SS-8090670-SP | 夹线螺钉紧固螺钉 | Screw | 1 |
| 57 | 480003 | 229-45307 | 挑线弹簧调节器 | Thread tension post base | 1 |
| 58 | 10127001 | 229-21605 | 挑线簧 | Takrup spring | 1 |
| 59 | 101S30002 | 229-21209 | 夹线螺钉 | Thread tension post | 1 |
| 60 | 480001 | 229-21506 | 夹线板 | Thread tension disk | 2 |
| 61 | 10112006 | 229-21803 | 松线板 | Disk stopper | 1 |
| 62 | 10127020 | 229-21704 | 夹线簧 | Tension spring | 1 |
| 63 | 10112007 | 229-21407 | 夹线制动板 | Tension disk stopper | 1 |
| 64 | 101S16052 | 236-26005 | 夹线螺母 | Tension nut | 1 |
| 65 | 1143002300 | 236-38059 | 安全开关组件 | Safety swith asm. | 1 |
| 66 | 11412008 | 239-38406 | 安全开关固定板 | Safety swith plate | 1 |
| 67 | 11412007 | 236-38000 | 安全开关支架 | Safety swith base | 1 |
| 68 | 11427002 | 239-38208 | 安全开关弹簧 | Safety swith spring | 1 |
| 69 | 11427001 | 236-38109 | 安全开关跳板 | Safety switch asm. | 1 |
| 70 | 114S20001 | 236-38307 | 安全开关轴位螺钉 | Screw | 1 |
| 71 | S01067 | SM-4021201-SC | 螺钉M2×12 | Screw M2×12 | 2 |
| 72 | 11430023 | | 安全开关 | Safety swith | 1 |
| 73 | 11230008 | 236-38554 | 电缆 | Safety swith cord asm. | 1 |
| 74 | 11436001 | HK-0346100-40 | 接头 | Housing | 1 |
| 75 | 11211005 | EA-9500-B01-00 | 尼龙扎带 | Cable band | 1 |
| 76 | 101S11025 | SS-4110715-SP | 螺钉SM11/64"×40 L=7 | Screw SM11/64"×40 L=7 | 1 |

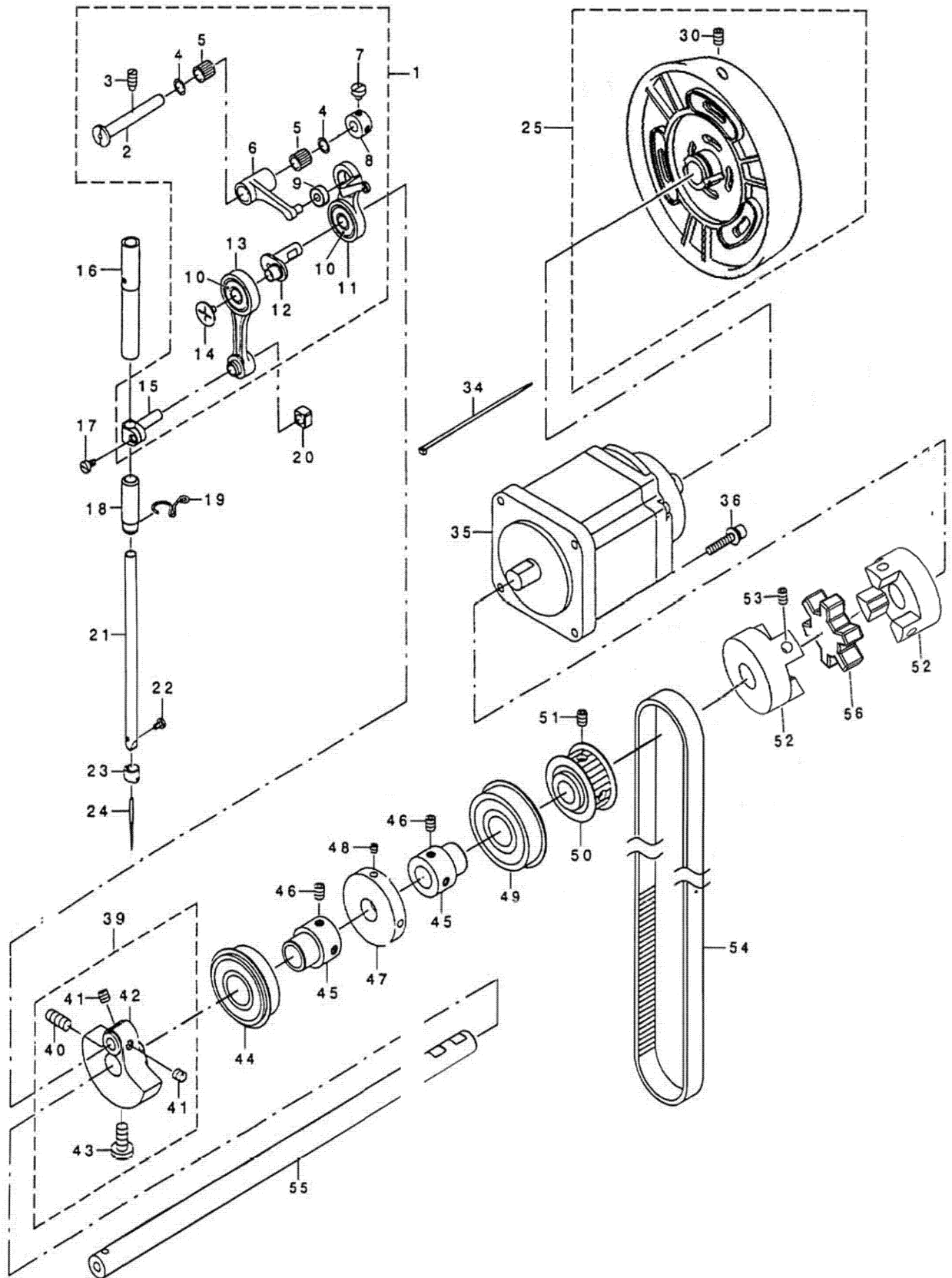
二、核心绕线组件 Bobbin winder components



二、核心绕线组件 Bobbin winder components

| 序号 Ref. No. | 件号 PartNo. | 参考件号 Ref. Part No. | 名称 | Description | 数量 Amt. |
|----------------|---------------|-----------------------|-------------------|--------------------------------|------------|
| 1 | 1143103800 | 236-36061 | 绕线器组件(长) | Bobbin winder asm. | 1 |
| 2 | 1141300200 | 236-36657 | 底线夹线器 | Bobbin thread tension asm. | 1 |
| 3 | 11411004 | 110-72402 | 夹线螺母 | Thread tension nut | 1 |
| 4 | 11427006 | D7133-555-B00 | 小夹线弹簧 | Connecting rod spring | 1 |
| 5 | 11413003 | B3126-012-000 | 夹线板 | Thread tension disk | 2 |
| 6 | 1143100300 | 141-13450 | 绕线螺柱组件 | Bobbin thread tension rod asm. | 1 |
| 7 | 114S16001 | NS-6110530-SP | 螺母SM11/64"×40 | Nut SM11/64"×40 | 1 |
| 8 | 101S11026 | SS-4150915-SP | 油泵安装螺钉 | Screw | 1 |
| 9 | 11412011 | 137-06700 | 过线板 | Thread guide plate | 1 |
| 10 | 114S11015 | SS-6090520-SP | 割线刀螺钉 | Screw | 2 |
| 11 | 11419001 | 105-02300 | 割线刀 | Thread cutter | 1 |
| 12 | 114S11003 | SS-6121030-SN | 螺钉SM3/16"×28 L=10 | Screw SM3/16"×28 L=10 | 3 |

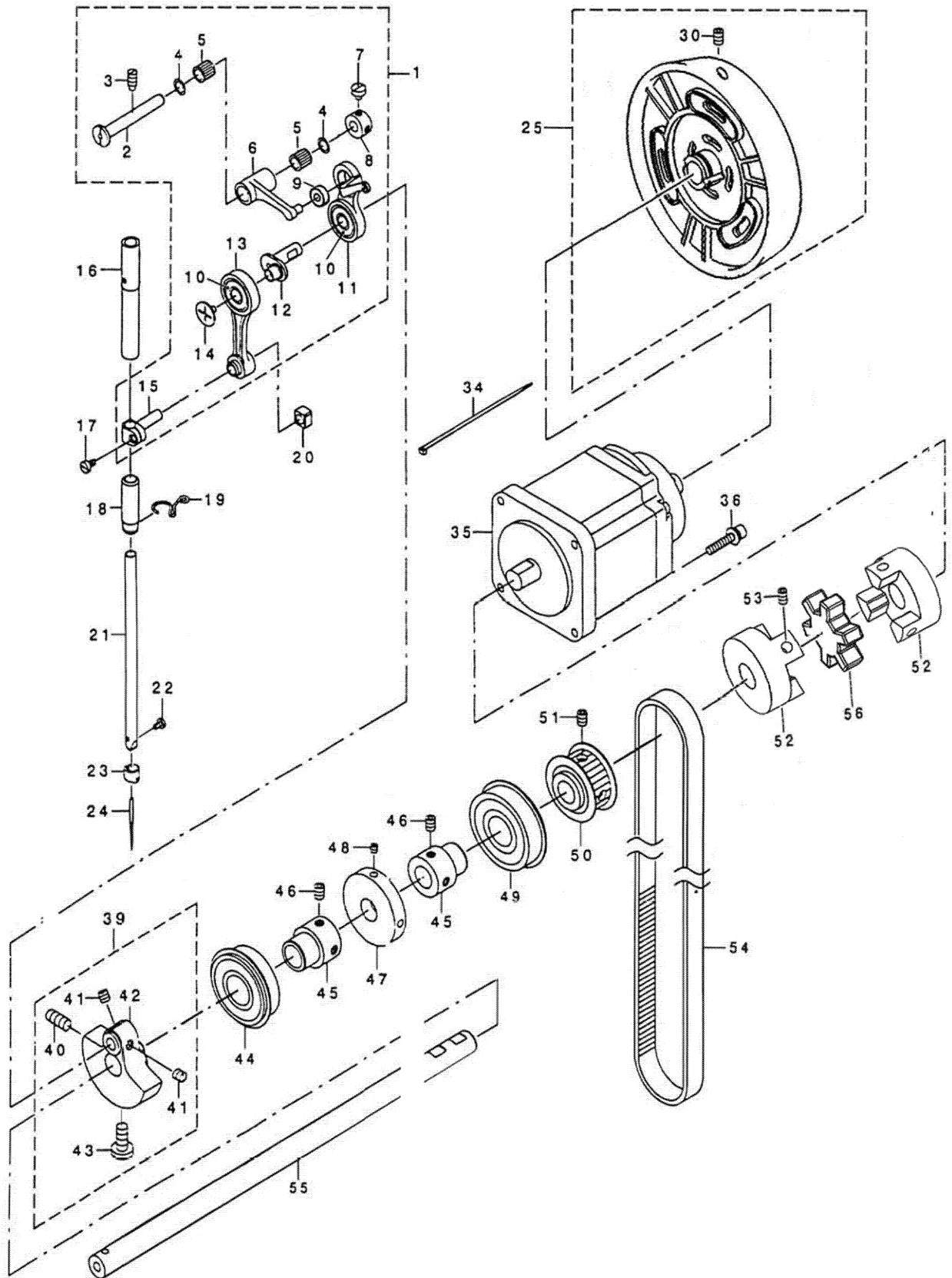
三、上轴、针杆组件 Main & Needle bar components



三、上轴、针杆组件 Main & Needle bar components

| 序号 Ref.No. | 件号 PartNo. | 参考件号 Ref.Part No. | 名称 | Description | 数量 Amt. |
|---------------|---------------|----------------------|----------------------|--------------------------------------|------------|
| 1 | 1143800100 | 236-22400 | 挑线组件 | Thread take-up asm. | 1 |
| 2 | 11426001 | SS-6151920-TP | 挑线连杆销 | Thread take-up crank shaft | 1 |
| 3 | 101S15010 | 228-91204 | 螺钉SM15/64"×28 L=10.5 | Screw SM15/64"×28 L=10.5 | 1 |
| 4 | 11411005 | SB-3070002-00 | 轴承支承挡圈 | Bearing support | 2 |
| 5 | B08003 | | 滚针轴承K7×10×10 | Bearing | 2 |
| 6 | 11438004 | | 挑线杆连杆 | Thread take-up lever crand rod | 1 |
| 7 | 114S11008 | | 挡圈螺钉 | Screw | 2 |
| 8 | 11408002 | | 挡圈 | Thrust collar asm. | 1 |
| 9 | B01013 | | 轴承605 | Bearing 605 | 1 |
| 10 | B01014 | | 轴承608 | Bearing 608 | 2 |
| 11 | 11438003 | | 挑线杆 | Thread take-up lever | 1 |
| 12 | 11402007 | | 挑线曲柄 | Needle bar crand | 1 |
| 13 | 1143800200 | | 针杆连杆组件 | Needle bar crand rod asm | 1 |
| 14 | 114S30004 | | 挑线曲柄左旋螺钉 | Screw (left twist) | 1 |
| 15 | 11404005 | 229-06408 | 针杆连接柱 | Needle rod holder | 1 |
| 16 | 11403006 | 236-08003 | 针杆上套 | Needle bar metal, upper | 1 |
| 17 | 101S11005 | SS-6090620-TP | 针杆连接柱螺钉 | Screw SM9/64"×40 L=6 | 1 |
| 18 | 11403007 | 236-08102 | 针杆下套 | Needle bar metal, lower | 1 |
| 19 | 11413004 | 236-26203 | 针杆下衬套线钩 | Needle bar metal, lower thread guide | 1 |
| 20 | 11409001 | B1414-555-000 | 针杆连接柱滑块 | Slide block | 1 |
| 21 | 11402034 | 110-35003 | 针杆 | Needle bar | 1 |
| 22 | 104S11006 | SS-7080510-TP | 支针螺钉(进口) | Screw | 1 |
| 23 | 10113002 | 110-05303 | 针杆线勾 | Needle bar thread guide | 1 |
| 24 | 10117001 | MDB-100B1400 | 机针DB×1#14 | Needle DB×1#14 | 1 |
| 25 | 1143500200 | | 手轮部件 | Hand wheel asm. | 1 |
| 30 | S10009 | SM-8060812-TP | 螺钉M6×8 | Screw M6×8 | 2 |
| 34 | 11211005 | EA-9500B01-00 | 尼龙扎带 | Cable band | 2 |
| 35 | 1143300700 | M6001-471-AA0 | 直驱电机(鲍麦克斯) | Motor A asm. | 1 |
| 35 | 1143301400 | | 直驱电机(琦星) | | 1 |
| 36 | 114S30001 | SL-6052592-TN | 内六角螺栓 | Bolt | 4 |
| 37 | 11433002 | M6801-471-0A0 | 同步器 | Sync asm. | 1 |
| 38 | S01010 | SL-4040881-SC | 螺钉M4×8 | Screw M4×8 | 2 |
| 39 | 1140400200 | 236-04168 | 针杆曲柄部件 | Cornter weight asm. | 1 |
| 40 | 101S15004 | SS-8681650-TP | 针杆曲柄紧固螺钉 | Screw | 1 |
| 41 | 101S15007 | SS-8660810-TP | 压杆导架螺钉 | Screw | 2 |
| 42 | 11404003 | 236-04119 | 针杆曲柄 | Cornter weight | 1 |
| 43 | 101S11003 | SS-7681650-TP | 针杆曲柄定位螺钉 | Screw | 1 |
| 44 | B10001 | SB-1200009-00 | 轴承6204Z | Bearing | 1 |
| 45 | 11403002 | 236-04200 | 主轴轴承套 | Bearing support | 2 |
| 46 | S10009 | SM-8060812-TP | 螺钉M6×8 | Screw M6×8 | 4 |
| 47 | 11435008 | 236-36400 | 绕线器驱动轮 | Bobbin winder driving wheel | 1 |
| 48 | 113S14002 | SS-7110551-SP | 螺钉SM11/64"×40 L=4 | Screw SM11/64"×40 L=4 | 2 |
| 49 | B01003 | SB-1200008-00 | 轴承 6304Z | Bearing | 1 |

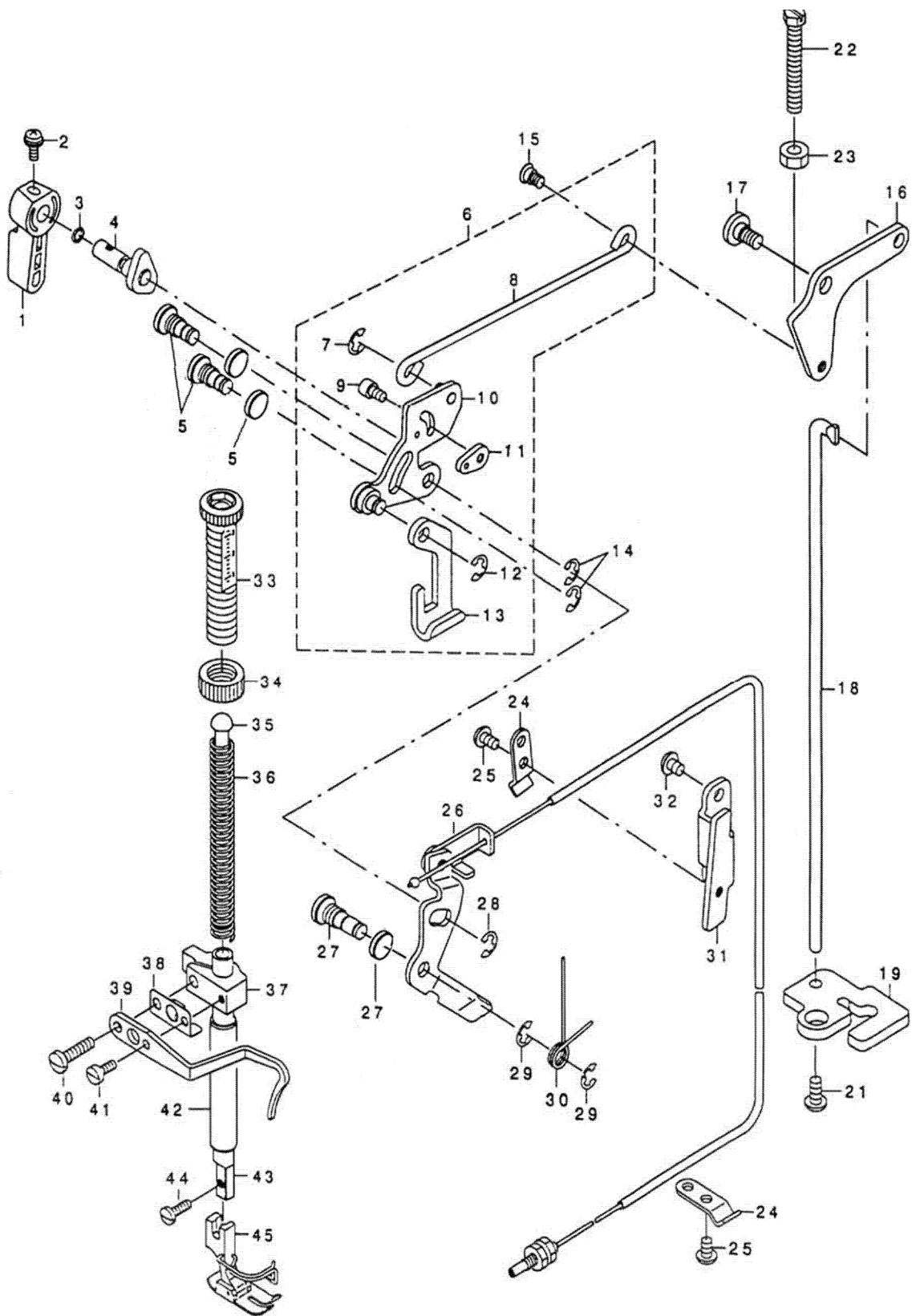
三、上轴、针杆组件 Main & Needle bar components



三、上轴、针杆组件 Main & Needle bar components

| 序号 Ref.No. | 件号 PartNo. | 参考件号 Ref.Part No. | 名 称 | Description | 数量 Amt. |
|---------------|---------------|----------------------|---------|----------------|------------|
| 50 | 1143500400 | 236-07054 | 上同步齿轮组件 | Sprocket upper | 1 |
| 51 | S10009 | SM-8060812-TP | 螺钉M6×8 | Screw M6×8 | 2 |
| 52 | 11403003 | 236-04309 | 联轴器 | Coupling | 2 |
| 53 | S10038 | SM-8060812-TP | 螺钉M6×16 | Screw M6×8 | 4 |
| 54 | 11435007 | 236-07302 | 同步带 | Timing belt | 1 |
| 55 | 11402004 | 236-04002 | 主轴 | Main shaft | 1 |
| 56 | 11422004 | | 减震橡胶 | | 1 |

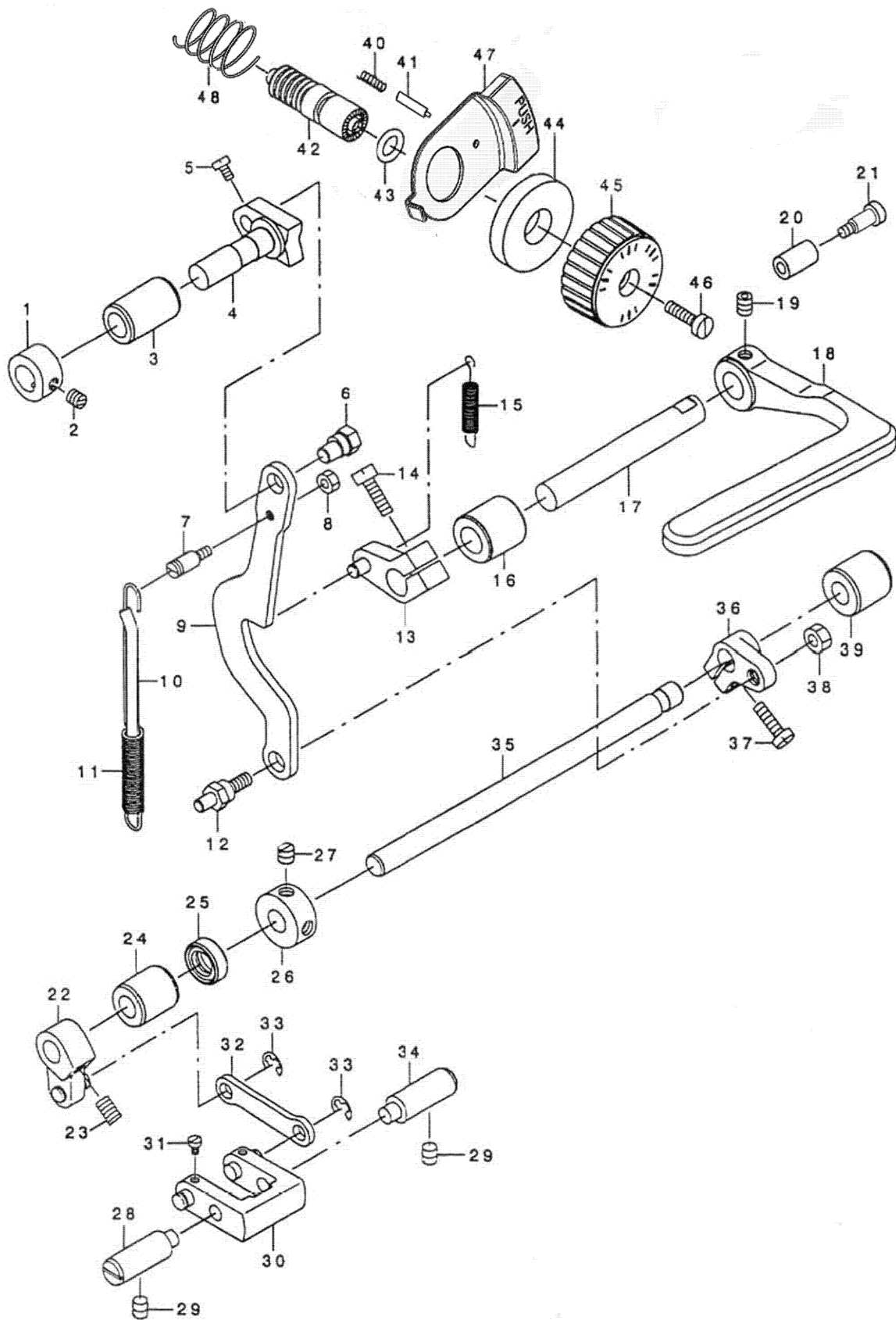
四、抬压脚及松线组件 Hand lifter & Tension release components



四、抬压脚及松线组件 Hand lifter & Tension release components

| 序号 Ref.No. | 件号 PartNo. | 参考件号 Ref.Part No. | 名称 | Description | 数量 Amt. |
|---------------|---------------|----------------------|--------------------|--------------------------------|------------|
| 1 | 10111028 | 110-71800 | 压脚扳手 | Hand lifter | 1 |
| 2 | 101S11010 | B1521-555-000 | 压脚扳手螺钉 | Screw | 1 |
| | 10128002 | | 压脚扳手螺钉垫圈 | | 1 |
| 3 | 001004 | R0-0371801-00 | 压脚扳手轴O形圈4×1.8 | Rubber ring | 1 |
| 4 | 1041000200 | 229-08552 | 压脚扳手凸轮分部件 | Hand lifter cam asm. | 1 |
| 5 | 101S20001 | 110-06509 | 前杠杆螺纹销 | Link shaft | 2 |
| | 10128016 | | 螺纹销橡胶垫圈(薄) | | 1 |
| 6 | 1140500300 | 236-09357 | 膝提拉杆组件 | Lifting lever connect rod asm. | 1 |
| 7 | H05006 | RE-0500000-K0 | 挡圈5 | E-ring | 1 |
| 8 | 11405004 | 236-09308 | 抬压脚拉杆 | Lifting lever connect rod | 1 |
| 9 | S05011 | SM-6040602-TP | 螺钉M4×6 | Screw M4×6 | 1 |
| 10 | 1140500500 | 236-09456 | 抬压脚前杠杆 | Lifting lind compl | 1 |
| 11 | 11412014 | 236-09605 | 平板 | Plate | 1 |
| 12 | H05006 | RE-0500000-K0 | 挡圈5 | E-ring | 1 |
| 13 | 11412017 | 229-08008 | 压脚升降板 | Lifting plate | 1 |
| 14 | H05006 | RE-0500000-K0 | 挡圈5 | E-ring | 2 |
| 15 | 101S20004 | 110-07101 | 抬压脚拉杆螺钉 | Hinge screw | 1 |
| 16 | 11405006 | 236-09704 | 抬压脚后杠杆 | Lifting lever link | 1 |
| 17 | 101S20003 | SD-0720331-SP | 后杠杆轴位螺钉 | Hinge screw | 1 |
| 18 | 11405007 | 236-09803 | 连接杆 | Connecting rod | 1 |
| 19 | 11411007 | 236-09902 | 连接柱导向板 | Connecting rod guide | 1 |
| 21 | 101S11001 | SS-4120915-SP | 后窗板螺钉 | Screw SM3/16"×28 L=9 | 1 |
| 22 | 114S12001 | 236-10801 | 螺钉 | Screw | 1 |
| 23 | 114S16005 | NS-6150310-SP | 螺母 | Nut SM15/64"×28 | 1 |
| 24 | 11212008 | 110-45408 | 松线导管压板 | Wire holder plate | 2 |
| 25 | 101S11025 | SS-4110715-SP | 螺钉SM11/64"×40 L=7 | Screw SM11/64"×40 L=7 | 2 |
| 26 | 11512004 | 236-26351 | 松线顶板组件 | Thread tension release wire | 1 |
| 27 | 101S20002 | 110-18108 | 松线顶板螺纹销 | Tenstion release shaft | 1 |
| | 10128015 | | 螺纹销橡胶垫圈(厚) | | 2 |
| 28 | H05003 | RE-0500000-K0 | 挡圈5 | E-ring | 3 |
| 29 | H05003 | RE-0500000-K0 | 挡圈5 | E-ring | 2 |
| 30 | 11427009 | 236-26807 | 松线顶板复位簧 | Tenstion release return spring | 1 |
| 31 | 11413006 | 236-26906 | 松线导管支架 | Wire holder bracket | 1 |
| 32 | 101S11001 | SS-4120915-SP | 螺钉SM3/16"×28 L=9 | Screw SM3/16"×28 L=9 | 2 |
| 33 | 114S30005 | 236-09209 | 调压螺钉 | Presser spring regulator | 1 |
| 34 | 114S16002 | 11071701 | 调压螺母 | Nut | 1 |
| 35 | 11405008 | 236-10306 | 调压导杆 | Presser guide bar | 1 |
| 36 | 11427007 | B1505-227-000-A | 调压弹簧 | Presser spring | 1 |
| 37 | 11404006 | 236-10108 | 压杆导架 | Presser guide bar bracket | 1 |
| 38 | 11412018 | 236-10405 | 导架板 | Guide bracket plate | 1 |
| 39 | 13113001 | 236-09100 | 缓线勾 | Presser bar thread guide | 1 |
| 40 | 114S11004 | SS-6090620-TP | 螺钉SM11/64"×40 L=18 | Screw SM11/64"×40 L=18 | 1 |
| 42 | 11403008 | 236-09001 | 压杆套 | Bushing | 1 |
| 43 | 11402009 | 236-10207 | 压杆 | Presser bar | 1 |
| 44 | 101S11009 | SS-7091110-TP | 活压脚螺钉 | Screw | 1 |
| 45 | 1141600300 | B1524-012-0BA | 压脚组件 | Presser foot asm. | 1 |

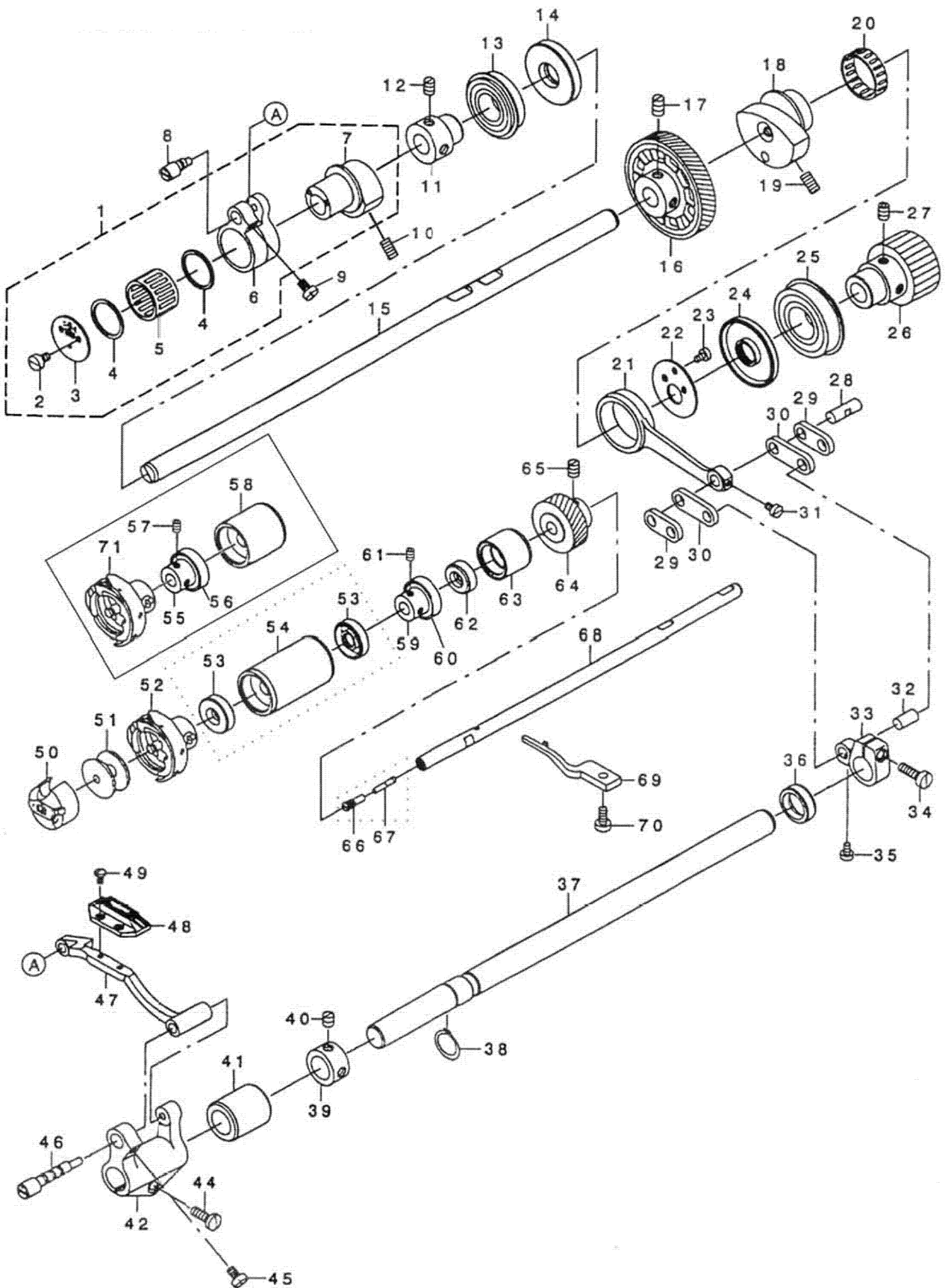
五、送料调节组件 Feed adjust mechanism components



五、送料调节组件 Feed adjust mechanism components

| 序号 Ref. No. | 件号 PartNo. | 参考件号 Ref. Part No. | 名称 | Description | 数量 Amt. |
|----------------|---------------|-----------------------|------------------|--------------------------------|------------|
| 1 | 11408007 | CS-111101E-SH | 送料调节座挡圈 | Collar asm. | 1 |
| 2 | 101S15002 | SS-8660330-SP | 送料调节座挡圈螺钉 | Screw | 2 |
| 3 | 11403009 | 236-13508 | 送料调节器轴套 | Adjusting base shaft metal | 1 |
| 4 | 11402011 | 236-13300 | 送料调节座 | Feed adjusting base | 1 |
| 5 | 101S11005 | SS-6090620-TP | 螺钉SM9/64"×40 L=6 | Screw SM9/64"×40 L=6 | 2 |
| 6 | 11402012 | 236-13409 | 送料调节销 | Feed adjusting pin | 1 |
| 7 | 114S30007 | 101-20004 | 弹簧悬置螺钉 | Screw | 1 |
| 8 | 114S16004 | NS-6110310-SP | 螺母 | Nut | 1 |
| 9 | 11404013 | 236-13201 | 送料摆动杆 | Feed adjusting rod | 1 |
| 10 | 12921002 | 236-3007 | 油管 | Tube | 1 |
| 11 | 11427011 | 236-14001 | 送料调节弹簧 | Feed adjusting spring | 1 |
| 12 | 11426007 | 236-13102 | 后送料调节轴曲柄螺栓 | Feed changing shaft arm B pin | 1 |
| 13 | 1140401400 | 236-13953 | 倒送料曲柄组件 | Feed lever arm asm. | 1 |
| 14 | 101S11016 | SS-6121410-SP | 送料曲柄螺钉 | Screw | 1 |
| 15 | 11427012 | 236-14308 | 送料杠杆拉簧 | Feed lever spring | 1 |
| 16 | 11403010 | 236-13805 | 送料扳手轴套 | Feed lever shaft metal | 1 |
| 17 | 11402013 | 236-13706 | 送料杠杆轴 | Feed lever shaft | 1 |
| 18 | 301725 | 236-13607 | 倒送料扳手 | Feed lever | 1 |
| 19 | S10009 | SM-8060812-TP | 螺钉M6×8 | Screw M6×8 | 2 |
| 20 | 11203001 | 111-00500 | 倒送料扳手定位套 | Reverse feed lever stopper | 1 |
| 21 | 112S11002 | SS-6121840-SP | 送料扳手定位套螺钉 | Screw | 1 |
| 22 | 1140400900 | 236-12450-00 | 前送料调节轴曲柄部件 | Feed changing shaft arm asm. | 1 |
| 23 | 116S14005 | SS-8660810-TP | 螺钉 | Screw | 1 |
| 24 | 11408005 | 236-12807 | 倒送料轴后轴套 | Metal A | 1 |
| 25 | 11422005 | 236-12609 | 送料调节轴油封 | Feed changing shaft oil seal | 1 |
| 26 | 11408004 | 236-12708 | 抬牙轴挡圈 | Thrust collar | 1 |
| 27 | 101S15002 | SS-8660810-TP | 送料轴挡圈螺钉 | Screw | 2 |
| 28 | 10126010 | 110-08802 | 调节摆动板座销钉A | Adjusting link fulcurm shaft A | 1 |
| 29 | 101S15010 | SS-8151150-TP | JK5550-0615螺钉 | Screw | 2 |
| 30 | 1140400700 | 236-12054-00 | 调节摆动座部件 | Adjusting link asm. | 1 |
| 31 | 101S11005 | SS-6090620-TP | 螺钉SM9/64"×40 L=6 | Screw SM9/64"×40 L=6 | 2 |
| 32 | 11405009 | 236-12104 | 调节摆动座连接板 | Adjusting link connecting link | 1 |
| 33 | H05003 | RE-0500000-K0 | 挡圈5 | E-ring | 2 |
| 34 | 11426005 | 236-12302 | 调节摆动板座轴螺柱 | Adjusting link fulcurm shaft B | 1 |
| 35 | 11402010 | 236-12500 | 送料调节轴 | Feed changing shaft | 1 |
| 36 | 11404012 | 236-13003 | 倒送料调节轴曲柄 | Feed changing shaft arm, B | 1 |
| 37 | 101S11016 | SS-6121410-SP | 送料曲柄螺钉 | Screw | 1 |
| 38 | 114S16005 | NS-6110310-SP | 螺母 | Nut | 1 |
| 39 | 11408006 | 236-12906 | 倒送料轴前轴套 | Metal, B | 1 |
| 40 | 11427034 | B1148-555-000 | 送料距锁合簧 | Spring | 1 |
| 41 | 11426022 | 110-52701 | 止动销 | Pin | 1 |
| 42 | 10426006 | 229-11804 | 送料调节螺柱 | Feed regulator screw | 1 |
| 43 | 10122016 | R0-0922702-00 | 送料调节螺钉O形圈 | Rubber ring | 1 |
| 44 | 11422007 | D2468-555-B00 | 橡皮塞 | | 1 |
| 45 | 11411039 | 110-71909 | 送料距旋钮 | Feed dial | 1 |
| 46 | 101S11022 | SS-6121860-SP | 送料距旋钮螺钉 | Screw | 1 |
| 47 | 11412079 | | 按键 | | 1 |
| 48 | 11427035 | | 针距按键簧 | | 1 |

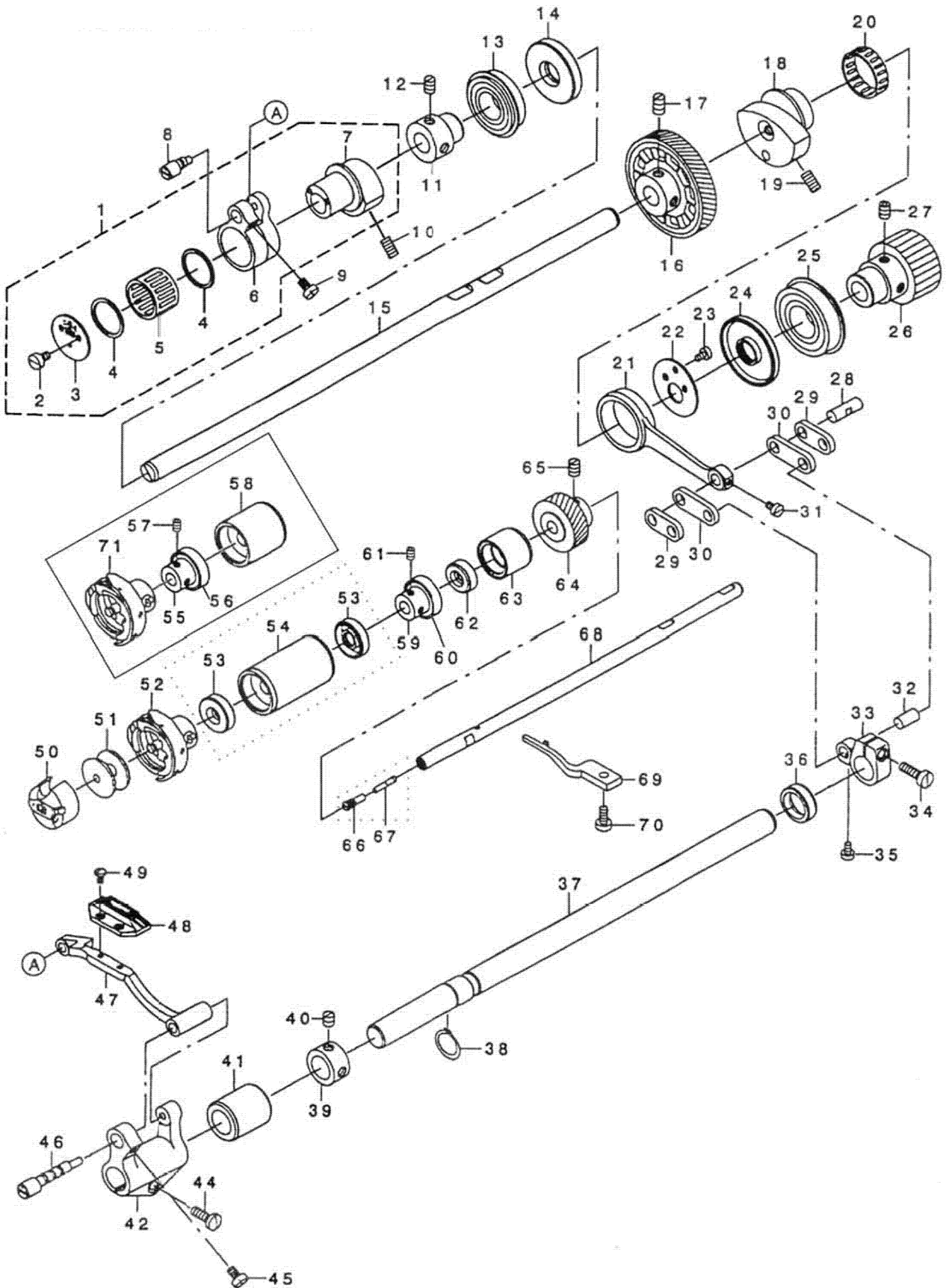
六、送料及钩线驱动组件 Machine frame & miscellaneous cover components



六、送料及钩线驱动组件Machine frame&miscellaneous cover components

| 序号 Ref.No. | 件号 PartNo. | 参考件号 Ref.Part No. | 名称 | Description | 数量 Amt. |
|---------------|---------------|----------------------|-------------------|-----------------------------------|------------|
| 1 | 1141000500 | | 抬牙凸轮组件 | Feed driving cam asm. | 1 |
| 2 | 101S11005 | SS-6090620-TP | 螺钉SM9/64"×40 L=6 | Screw SM9/64"×40 L=6 | 2 |
| 3 | 11412024 | 236-18309 | 送料驱动盖板 | Feed reiving cam plate | 1 |
| 4 | 11403012 | 236-18101 | 抬牙曲柄轴衬套 | Feed driving cam thrust bush | 2 |
| 5 | B08005 | SB-3200006-0A | 滚针轴承K20×24×17 | Bearing | 1 |
| 6 | 11404018 | 236-18200 | 送料驱动基座臂 | Feed friving base arm | 1 |
| 7 | 11410006 | 236-18002 | 送料驱动凸轮 | Feed driving cam | 1 |
| 8 | 11402016 | 236-18408 | 送料驱动偏心轴 | Feed driving base shaft | 1 |
| 9 | 101S11025 | SS-7110740-TP | 螺钉SM11/64"×40 L=7 | Screw SM11/64"×40 L=7 | 1 |
| 10 | 101S15010 | SS-8151150-TP | 螺钉 | Screw | 2 |
| 11 | 11403013 | 236-18606 | 送料驱动轴轴承套 | Bearing support | 1 |
| 12 | 101S15007 | SS-8660810-TP | 螺钉 | Screw | 2 |
| 13 | B01010 | SB-1170004-00 | 滚针轴承6003 | Bearing | 1 |
| 14 | 1142201000 | 236-18705 | 抬牙轴前油封 | Oil seal | 1 |
| 15 | 11402017 | 236-18507 | 抬牙轴 | Feed driving shaft | 1 |
| 16 | 1142500100 | 236-20503 | 大齿轮组件 | Gear, large asm | 1 |
| 17 | 101S15007 | SS-8660810-TP | 螺钉SM1/4"×40 L=8 | Screw SM1/4"×40 L=8 | 2 |
| 18 | 11410004 | 236-16006 | 送料摇杆凸轮 | Feed rocker cam | 1 |
| 19 | 101S15010 | SS-8151150-TP | 螺钉 | Screw | 2 |
| 20 | B08004 | B4123-522-00A | 滚针K25×29×10 | Needle rollar | 1 |
| 21 | 11405010 | 236-16105 | 送料摇杆连杆 | Needle rocker rod | 1 |
| 22 | 11412021 | 236-16204 | 送料摇杆凸轮盖板 | Feed rocker cam plate | 1 |
| 23 | 101S11005 | SS-6090620-TP | 螺钉SM9/64"×40 L=6 | Screw SM9/64"×40 L=6 | 2 |
| 24 | 1142201200 | 236-18804 | 抬牙轴后油封 | Oil seal | 1 |
| 25 | B10003 | SB-1200010-00 | 轴承6004ZZN | Bearing | 1 |
| 26 | 11435009 | 236-07203 | 下同步齿轮 | Lower sprocket | 1 |
| 27 | S10009 | SS-8660810-TP | 螺钉M6×8 | Screw M6×8 | 2 |
| 28 | 11426010 | 110-09206 | 短摆动板连接销 | Walking foot pin | 1 |
| 29 | 10409005 | 236-16303 | 送料短摆动板 | Connecting link, A | 2 |
| 30 | 400094 | 236-16402 | 送料长摆动板 | Connecting link, B | 2 |
| 31 | 101S11005 | SS-6090620-TP | 螺钉SM9/64"×40 L=6 | Screw SM9/64"×40 L=6 | 1 |
| 32 | 10126011 | 110-09107 | 送料曲柄销 | Walking foot pin | 1 |
| 33 | 11404017 | 236-16501 | 送料曲柄部件 | Feed rocker arm asm | 1 |
| 34 | 101S11016 | SS-6121610-SP | 送料曲柄螺钉 | Screw | 1 |
| 35 | 101S11005 | SS-6090620-TP | 螺钉SM9/64"×40 L=6 | Screw SM9/64"×40 L=6 | 1 |
| 36 | 1142200800 | 228-88002 | 油封组件 | Oil sealasm. | 1 |
| 37 | 11402014 | 236-16600 | 送料轴 | Feed rocker shaft | 1 |
| 38 | H03001 | RC-0150001-KP | 送料轴轴用挡圈15 | Retaining ring | 1 |
| 39 | 12508002 | 229-04106 | 送料轴挡圈 | Main shaft thrust collar | 1 |
| 40 | 101S15002 | SS-8660810-TP | 上轴挡圈螺钉 | Screw | 2 |
| 41 | 11403011 | 236-16709 | 送料轴套筒 | Feed rocker shaft metal | 1 |
| | 11503001 | | 送料轴套筒(8991用) | Feed rocker shaft metal(for 8991) | 1 |
| 42 | 11407002 | 236-16808 | 牙架座 | Feed rocker bade arm | 1 |

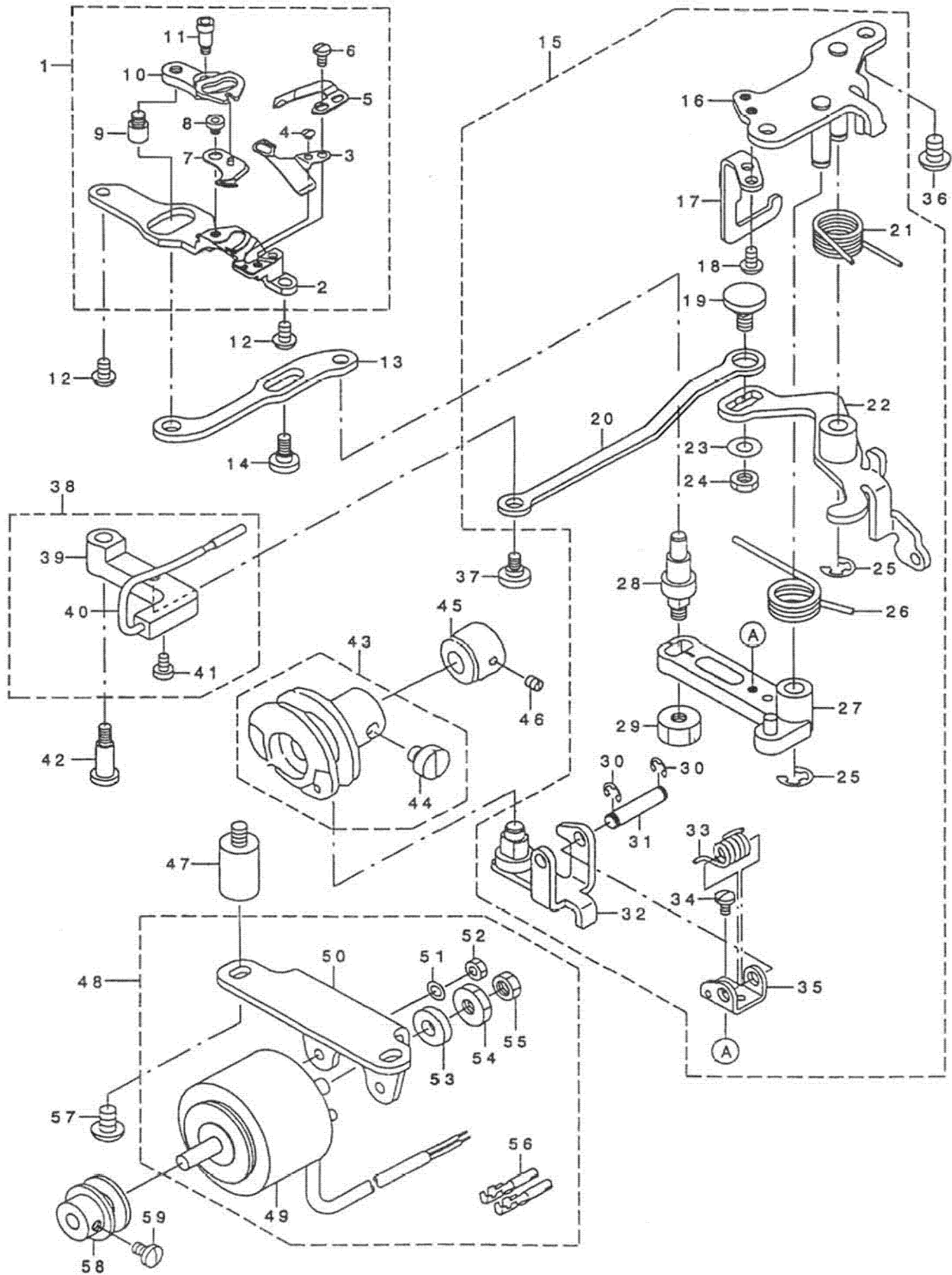
六、送料及钩线驱动组件 Machine frame & miscellaneous cover components



六、送料及钩线驱动组件Machine frame&miscellaneous cover components

| 序号 Ref. No. | 件号 PartNo. | 参考件号 Ref. Part No. | 名 称 | Description | 数量 Amt. |
|----------------|---------------|-----------------------|---------------------|----------------------------------|------------|
| 44 | 101S11016 | SS-7121410-TP | 牙架座螺钉 | Screw | 1 |
| 45 | 101S11025 | SS-7110740-TP | 螺钉SM11/64"×40 L=7 | Screw SM11/64"×40 L=7 | 1 |
| 46 | 11402015 | 236-16907 | 送料摇杆偏心轮 | Feed rocker base shaft | 1 |
| 47 | 400678 | 236-17004 | 牙架 | Feed base | 1 |
| 48 | 11214001 | B1613-012-100 | 送料牙 | Feed dog | 1 |
| 49 | 101S11018 | SS-4080620-TP | 送料牙螺钉 | Screw | 2 |
| 50 | 11218504 | 110-38759 | 梭壳 | Bobbin case asm. | 1 |
| 51 | 10118003 | B9117-552-A00 | 梭心 | Bobbin | 1 |
| 52 | 11418003 | 228-90404 | 广濑中厚料旋梭 | Hook asm. | 1 |
| 53 | 1142201400 | 236-20206 | 下轴前轴套油封 | Oil seal | 1 |
| 54 | 11403014 | 236-20156 | 下轴前套筒 | Hook driving shaft metal compl | 1 |
| 54 | 11503014 | | 微油下轴前套筒 | | 1 |
| 55 | 11403016 | 228-89851 | 下轴前轴承套 | Bearing support | 1 |
| 56 | 11424001 | | 6901轴承 | Bearing | 1 |
| 57 | 113S14002 | | 螺钉 | Screw | 1 |
| 58 | 11403015 | | 旋梭轴前轴套 | Hook driving shaft metal compl | 1 |
| 59 | 11403016 | 236-20354 | 下轴前轴承套 | Bearing support | 1 |
| 60 | 11424001 | | 6901轴承 | Bearing | 1 |
| 61 | 113S14002 | SS-7110551-SP | 螺钉SM11/64"×40 L=4.5 | Screw SM11/64"×40 L=4.5 | 2 |
| 62 | 1142201600 | 236-20404 | 油封组件 | Oil seal asm. | 1 |
| 63 | 11403018 | 228-90008 | 旋梭轴后轴套 | Hook shaft rear metal | 1 |
| 63 | 11503018 | | 旋梭轴后轴套 | | 1 |
| 64 | 11425002 | 236-20701 | 斜齿轮A | Gear, small | 1 |
| 65 | 101S15007 | SS-8660810-TP | 螺钉SM1/4"×40 L=8 | Screw SM1/4"×40 L=8 | 2 |
| 66 | 101S30005 | B1808-552-000 | 下轴限油螺钉 | Oil seal screw | 1 |
| 67 | 11423003 | | 下轴限油芯 | Oil wick | 1 |
| 68 | 11402019 | 236-20008 | 下轴 | Hooking driving shaft | 1 |
| | 11502002 | | 下轴 (8991用) | Hooking driving shaft (for 8991) | 1 |
| 69 | 11412025 | 110-38809 | 旋梭定位钩 | Bobbin case holder | 1 |
| 70 | 101S11011 | SS-6111010-TP | 旋梭定位钩螺钉 | Screw | 1 |
| 72 | 1141000300 | | 送料凸轮组件 | | 1 |
| 73 | 11403033 | | 下主动轴油封后套 | | 1 |
| 74 | 11403034 | | 下主动轴油封中套 | | 1 |
| 75 | 11503038 | | 送料轴后套 | | 1 |
| 76 | 11522001 | | 油封 | | 1 |

七、切线组件 (8990) Thread trimmer components(8990)

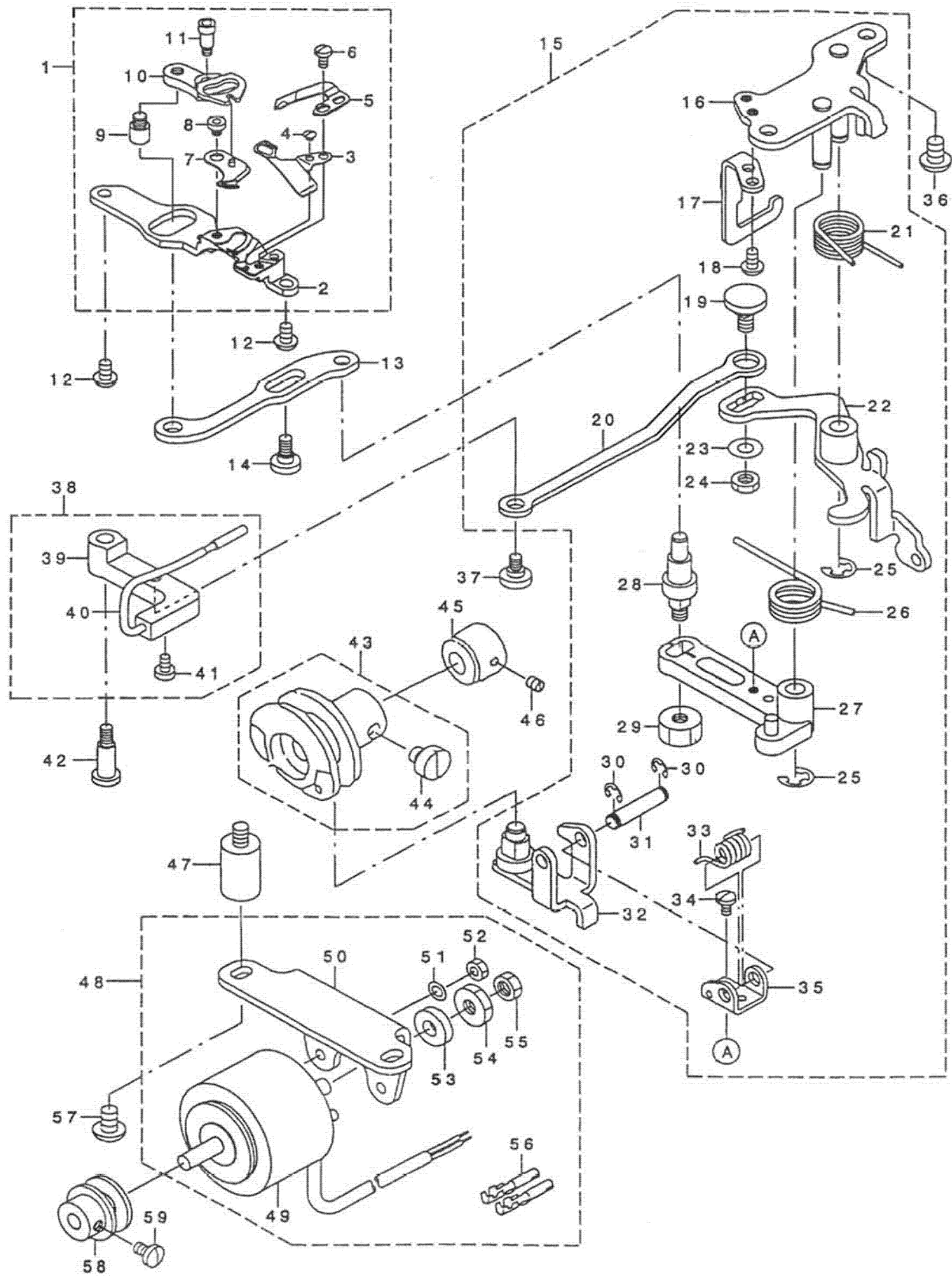


七、切线组件 (8990) Thread trimmer components(8990)

| 序号 Ref. No | 件号PartNo. | 参考件号 Ref. Part No. | 名 称 | Description | 数量 Amt. |
|---------------|------------|-----------------------|--------------------|-----------------------------|------------|
| 1 | 1141900200 | 236-23051 | 切线刀组件 | Knife unit | 1 |
| 2 | 11419003 | 236-23002 | 刀架 | Knife installing base | 1 |
| 3 | 11419004 | 113-13103 | 导线片 | Thread guide for knife | 1 |
| 4 | 112S11005 | SS-2060210-SP | 螺钉SM3/32"×56 L=2.3 | Screw SM3/32"×56 L=2.3 | 1 |
| 5 | 11219003 | D2406-555-D0H | 固定刀 | Cornter knife | 1 |
| 6 | 112S11006 | SS-4080620-TP | 螺钉SM1/8"×44 L=6 | Screw SM1/8"×44 L=6 | 2 |
| 7 | 11219002 | 110-40052 | 活动刀 | Moring knife asm. | 1 |
| 8 | 112S13001 | 110-40508 | 活刀螺钉 | Moring knife hinge screw | 1 |
| 9 | 11426014 | 110-40409 | 止动销 | Pin | 1 |
| 10 | 11204001 | 236-23903 | 活动刀曲柄 | Forked base for knife | 1 |
| 11 | 112S20001 | SD-0460703-TP | 螺钉销 D=4.6 L=7 | Hinge screw D=4.6 L=7 | 1 |
| 12 | 101S11011 | SS-6111010-TP | 旋梭定位钩螺钉 | Screw | 2 |
| 13 | 11433006 | 236-24000 | 活动刀连杆 | Moving knife link | 1 |
| 14 | 114S20002 | SD-0600321-SP | 轴位螺钉 | Screw | 1 |
| 15 | 1141900500 | 236-23168 | 切线主动组件 | Thread trimmer driving unit | 1 |
| 16 | 1141202700 | 236-23556 | 剪线驱动座组件 | Base plate asm. | 1 |
| 17 | 11412029 | 236-23804 | 挡板 | Driving arm stopper | 1 |
| 18 | 101S11025 | SS-7110740-TP | 螺钉SM11/64"×40 L=7 | Screw SM11/64"×40 L=7 | 2 |
| 19 | 112S30003 | 110-42306 | 挡线器连杆连接螺钉 | Screw | 1 |
| 20 | 11405011 | 236-23705 | 挡线连杆 | Picker link | 1 |
| 21 | 11427020 | 110-41704 | 剪线离合复位弹簧 | Clutch spring | 1 |
| 22 | 1141202500 | 236-23358 | 剪线离合架组件 | Clutch plate asm. | 1 |
| 23 | W02004 | WP-0621016-SH | 垫圈6 | Wadher 6 | 1 |
| 24 | 112S16004 | NS-6150310-SP | 螺母 SM15/64"×28 | Nut SM15/64"×28 | 1 |
| 25 | H05009 | RE-0600000-K0 | 开口挡圈 | E-ring | 2 |
| 26 | 11427019 | 110-43700 | 切线复位弹簧 | Roller return spring B | 1 |
| 27 | 1140401900 | 236-23150 | 剪线驱动曲柄组件 | Knife driving arm asm. | 1 |
| 28 | 11430005 | 236-23200 | 切线连杆连接螺钉 | Moving knife link pin | 1 |
| 29 | 112S16004 | NS-6150810-SP | 螺母 SM15/64"×28 | Nut SM15/64"×28 | 1 |
| 30 | H05013 | RE-0400000-K0 | 开口挡圈 | E-ring | 2 |
| 31 | 11426013 | 110-41407 | 跳板销 | Roller fulcrum shaft | 1 |
| 32 | 11212021 | 110-40953 | 离合跳板组件 | Roller arm asm. | 1 |
| 33 | 11427018 | 110-41506 | 跳板簧 | Roller return spring | 1 |
| 34 | 112S11009 | SS-7090610-SP | 螺母 SM9/64"×40 L=6 | Screw SM9/64"×40 L=6 | 1 |
| 35 | 11412030 | 110-41308 | 托板支持架 | Roller arm asm. | 1 |
| 36 | 101S11026 | SS-4150915-SP | 螺母 SM15/64"×28 L=9 | Screw SM15/64"×28 L=9 | 2 |
| 37 | 114S20003 | SD-0630275-SP | 轴位螺钉 | Screw | 1 |
| 38 | 1140100300 | 236-24158 | 剪线下挡线组件 | Picker arm asm. | 1 |
| 39 | 11401004 | 236-24109 | 挡线器座 | Picker arm | 1 |
| 40 | 11412031 | 236-24257 | 挡线 | Thread take-up picker asm. | 1 |
| 41 | 101S11005 | SS-6111010-TP | 螺钉 | Screw | 2 |
| 42 | 114S20004 | SD-0641452-TP | 轴位螺钉 | Screw | 1 |
| 43 | 11210001 | 110-42850 | 剪线凸轮 | Thread trimmer cam asm. | 1 |



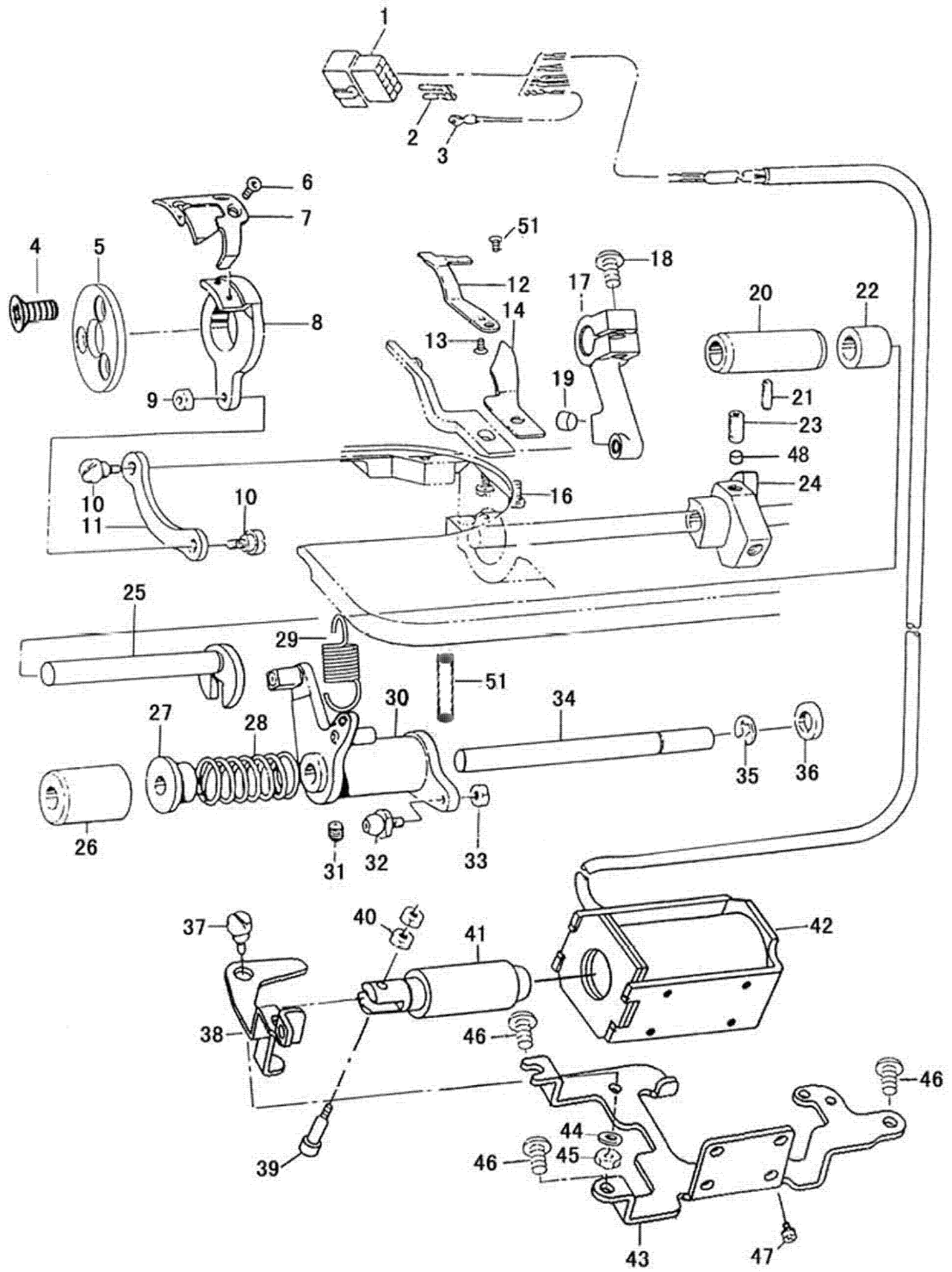
七、切线组件 (8990) Thread trimmer components(8990)



七、切线组件 (8990) Thread trimmer components (8990)

| 序号 Ref. No | 件号PartNo. | 参考件号 Ref. Part No. | 名 称 | Description | 数量 Amt. |
|---------------|------------|-----------------------|----------------------|-------------------------|------------|
| 45 | 11208001 | 110-42959 | 挡圈 | Cam collar asm. | 1 |
| 46 | 112S15001 | SS-8110520-TP | 螺钉 SM11/64"×40 L=4.5 | Screw SM11/64"×40 L=4.5 | 1 |
| 47 | 114S30008 | D8233-241-E00 | 支架支撑 | Belt cover support | 2 |
| 48 | 1123000600 | 236-24356 | 剪线电磁铁组件 | Solenoid asm. | 1 |
| 49 | 11430007 | 236-24307 | 电磁铁 | Solenoid | 1 |
| 50 | 11412032 | 236-24406 | 支架 | Solenoid base | 1 |
| 51 | 11428005 | WP-0450000-SD | 垫圈4.5×0.8×0.5 | Wadher 4.5×0.8×0.5 | 2 |
| 52 | N01001 | NH-604000-SN | 螺母M4 | Nut M4 | 2 |
| 53 | 11222005 | 110-43304 | 电磁铁橡皮 | Solenoid rubber | 1 |
| 54 | 114S16006 | NS-66600410-SH | 螺母 | Nut | 1 |
| 55 | 114S16007 | NS-66600430-SP | 螺母SM1/4"×40 | Nut SM1/4"×40 | 1 |
| 56 | 11230005 | HK-0346400-0B | 电线插针 | Pim contact | 2 |
| 57 | 101S11026 | SS-4150915-SP | 螺钉 SM15/64"×28 L=9 | Screw SM15/64"×28 L=9 | 2 |
| 58 | 11408009 | 236-24505 | 驱动轮 | Driving block | 1 |
| 59 | 101S11025 | SS-7110740-TP | 螺钉 | Screw | 1 |

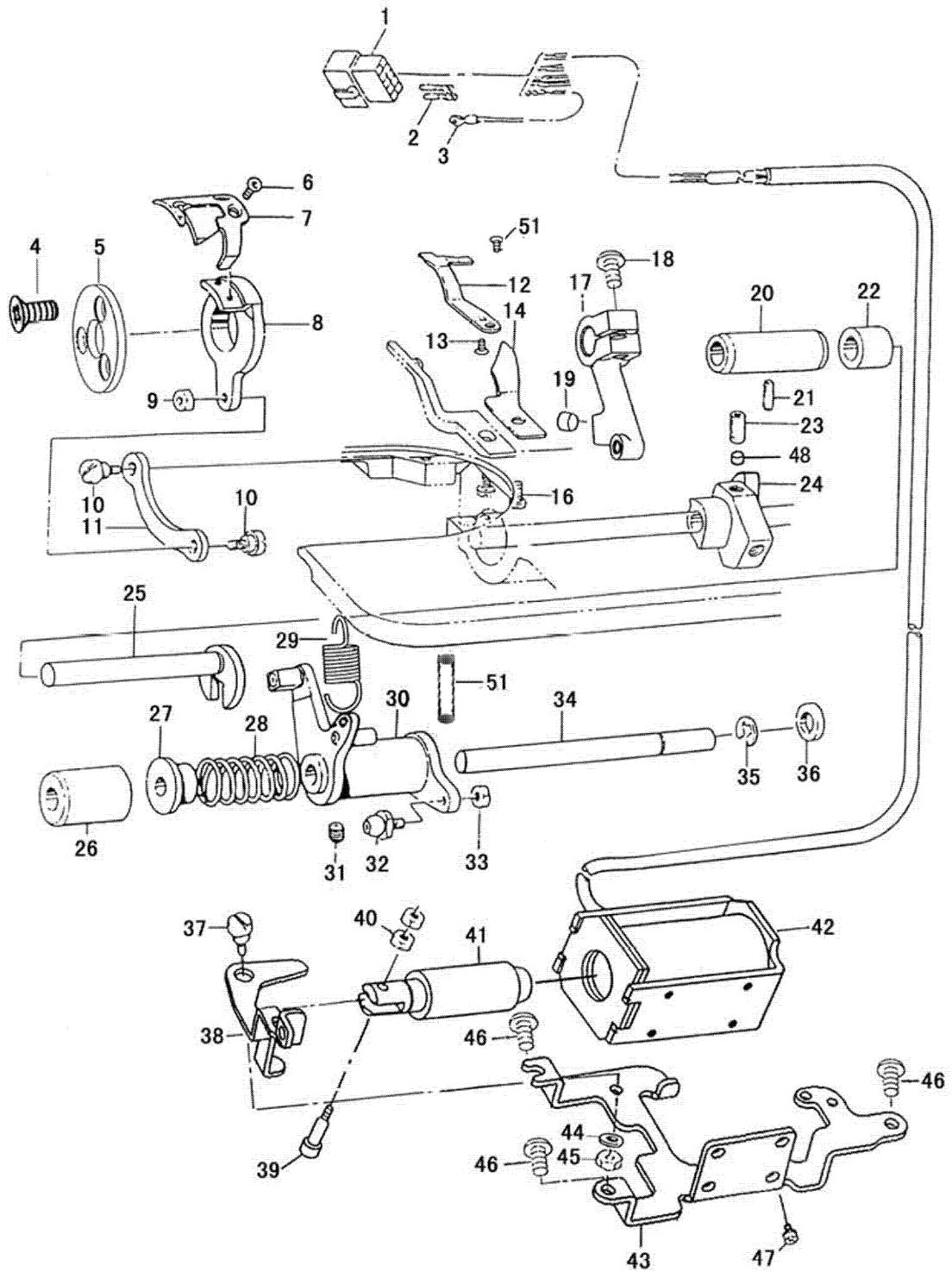
七、切线组件 (8991) Thread trimmer components



七、切线组件 (8991) Thread trimmer components

| 序号 Ref. No. | 件号 PartNo. | 参考件号 Ref. Part No. | 名 称 | Description | 数量 Amt. |
|----------------|---------------|-----------------------|------------|--------------------------------|------------|
| 1 | 11230004 | | 接线器 | Housing 14 P | 1 |
| 2 | 11230005 | | 电线插针 | Pin contact | 1 |
| 3 | 11212025 | | 地线接头 | Ground wrie asm. | 1 |
| 4 | 114S17001 | | 刀架压板螺钉 | Screw | 3 |
| 5 | 11512001 | | 刀架压板 | Partiality shank asm. | 1 |
| 6 | 113S17002 | | 活动刀固定螺钉 | Screw | 2 |
| 7 | 11319003 | | 活动刀 (厚料长槽) | Motorial knife | 1 |
| 8 | 11501001 | | 剪线刀架 | Knife bracket | 1 |
| 9 | 113S16001 | | 螺母 | Nut | 1 |
| 10 | 113S20001 | | 连杆螺钉 | Screw | 2 |
| 11 | 11505001 | | 连杆 | Knife shaft connecting rod | 1 |
| 12 | 11319001 | | 定刀 | Secant knife | 1 |
| 13 | 113S17001 | | 螺钉 | Screw | 1 |
| 14 | 11312003 | | 护针片 | Protect needle patch | 1 |
| 16 | 113S11003 | | 螺钉 | Screw | 1 |
| 17 | 11504001 | | 驱动曲柄 | Thread shear rock patch | 1 |
| 18 | S05004 | | 螺钉 | Screw | 1 |
| 19 | 11511001 | | 驱动曲柄止动块 | Positioning block | 1 |
| 20 | 11303003 | | 切线轴套 | Thread shear cam rock arm assy | 1 |
| 21 | 113S14001 | | 螺钉 | Screw | 1 |
| 22 | 11503005 | | 驱动曲柄轴衬套 | Short bush | 1 |
| 23 | 116S14005 | | 螺钉 | Screw | 1 |
| 24 | 11510001 | | 凸轮 | Thread shear cam | 1 |
| 25 | 11402038 | | 切线凸轮曲柄轴 | Thread shear rock arm shaft | 1 |
| 26 | 11503004 | | 切刀驱动轴轴套 | Thread shear rock arm | 1 |
| 27 | 11322002 | | 扭簧端盖 | Spring cover | 1 |
| 28 | 11327002 | | 弹簧 | Spring | 1 |
| 29 | 11527001 | | 弹簧 | Spring | 1 |
| 30 | 1150400200 | | 剪线驱动组件 | Thread shear rock arm shaft | 1 |
| 31 | 116S14003 | | 针杆曲柄销定位螺钉 | Screw | 1 |
| 32 | 11324001 | | 滚柱 | Rool shaft assy | 1 |
| 33 | 113S16001 | | 螺母 | Nut | 1 |
| 34 | 11302002 | | 轴 | Thread shear shaft | 1 |
| 35 | H03006 | | 挡圈 | Retaining ring | 1 |
| 36 | 11322003 | | 电磁铁缓冲垫 | Magnetic plug cushion mat | 1 |
| 37 | 115S20002 | | 轴位螺钉 | Plunger arm pin | 1 |
| 39 | 115S20003 | | 轴位螺钉 | Hinge screw | 1 |
| 40 | 114S16008 | | 螺母 | Nut | 2 |
| 41 | 11530002 | | 电磁铁芯轴 | Reverse feed solenoid plunger | 1 |
| 42 | 1153000200 | | 剪线电磁铁组件 | Magnetic plug | 1 |
| 43 | 11512002 | | 切线磁铁支架 | Magnetic plug cushion mat | 1 |
| 42 | 11512002 | | 切线磁铁支架 | Magnetic plug cushion mat | 1 |
| 43 | 115S20003 | | 轴位螺钉 | Hinge screw | 1 |

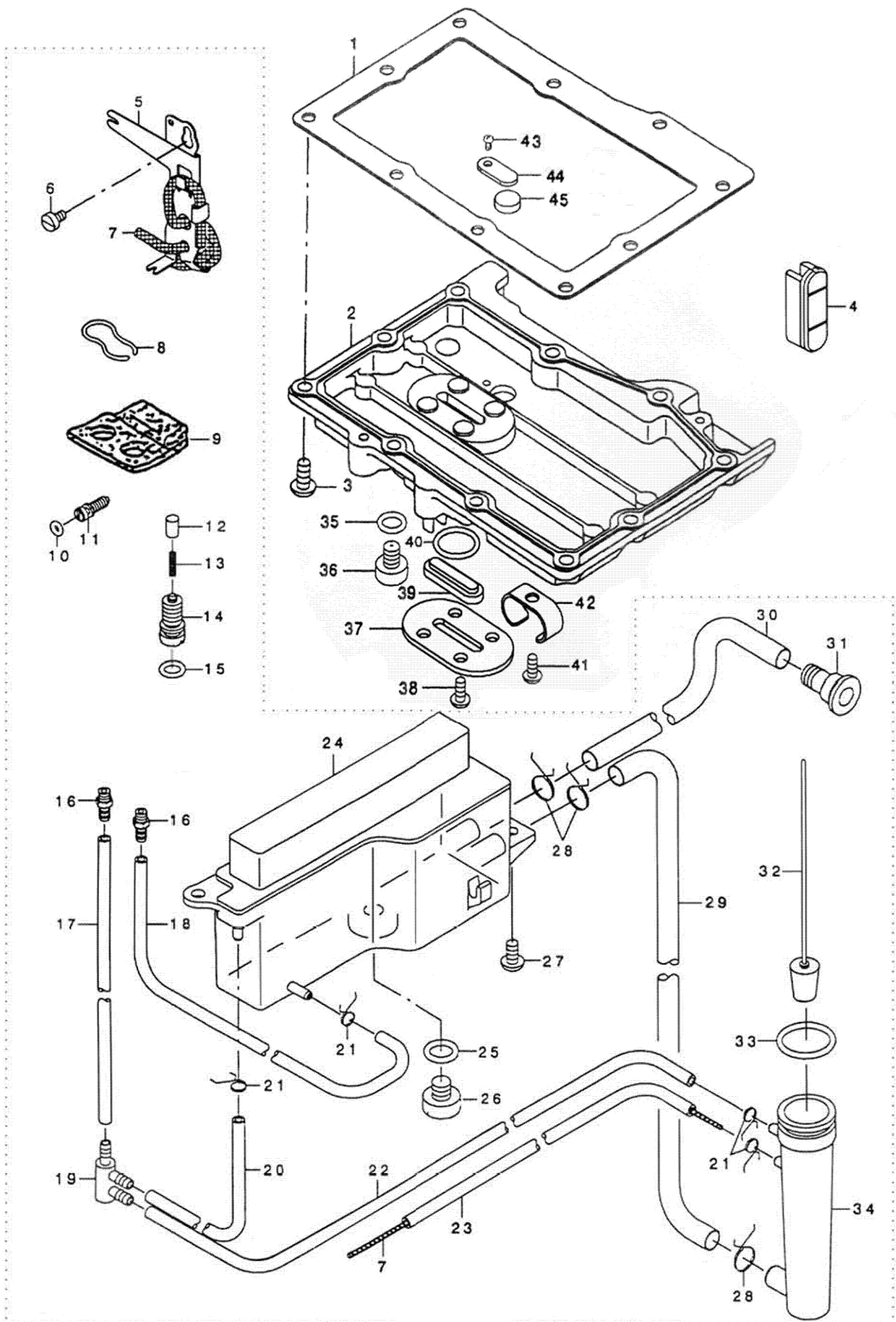
七、切线组件 (8991) Thread trimmer components



七、切线组件 (8991) Thread trimmer components

| 序号 Ref. No. | 件号 PartNo. | 参考件号 Ref. Part No. | 名 称 | Description | 数量 Amt. |
|----------------|---------------|-----------------------|--------|-------------|------------|
| 44 | W01009 | | 垫圈 | Washer | 1 |
| 45 | 115S16001 | | 螺母 | Nut | 1 |
| 46 | 101S11026 | | 螺钉 | Screw | 3 |
| 47 | S04008 | | 螺钉 | Screw | 4 |
| 48 | 11309030 | | 凸轮顶柱 | Pole | 2 |
| 49 | 113S15002 | | 定刀调节螺钉 | | 1 |
| 50 | 12921002 | | 维尼龙油管 | | 1 |

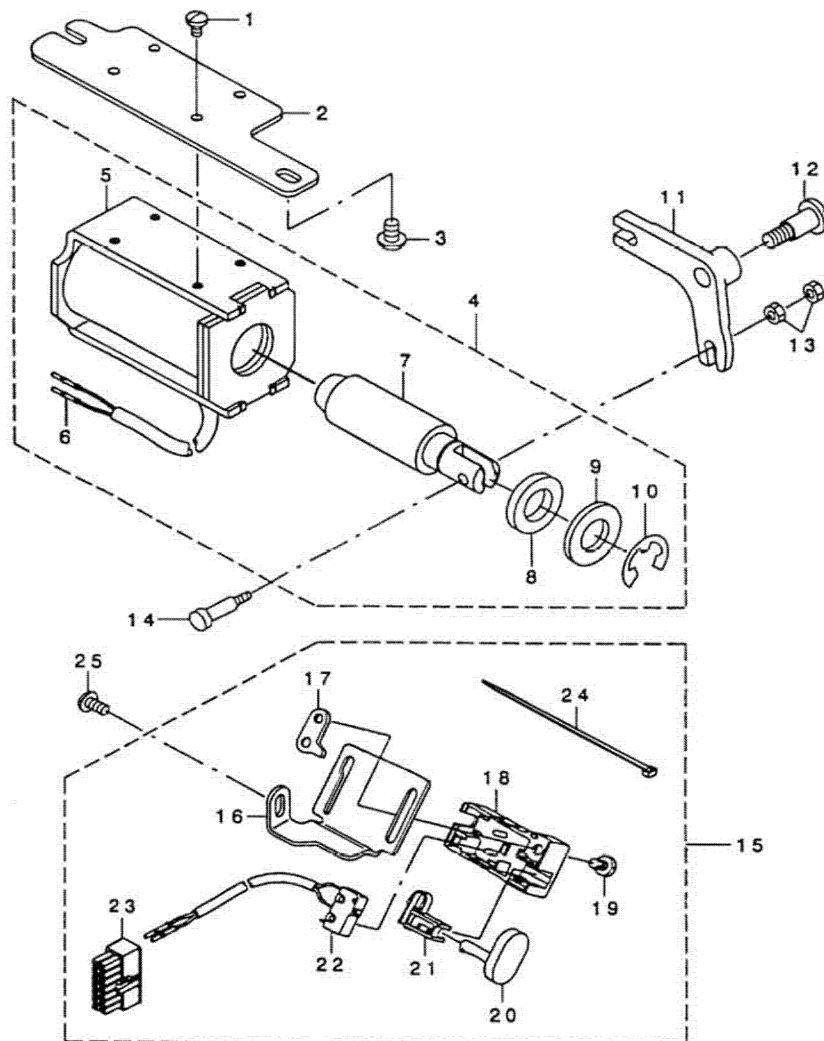
八、润滑组件 Oil lubrication components



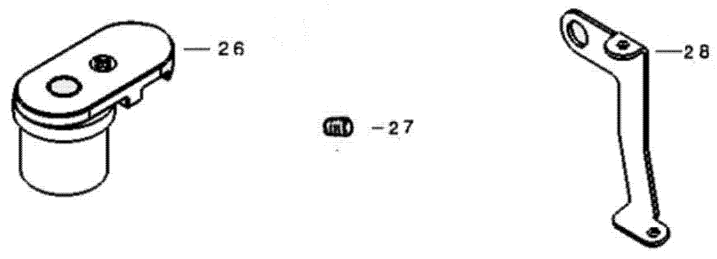
八、润滑组件 Oil lubrication components

| 序号 Ref. No. | 件号 Part No. | 参考件号 Ref. Part No. | 名 称 | Description | 数量 Amt. |
|----------------|----------------|-----------------------|------------|-------------------------|------------|
| 1 | 11422018 | 236-28100 | 齿轮箱垫 | Gear box packing | 1 |
| 2 | 11401005 | 236-28001 | 齿轮箱盖 | Gear box cover | 1 |
| 3 | 101S11016 | SS-6121410-SP | 送料曲柄螺钉 | Screw SM3/16"×28 L=10 | 10 |
| 4 | 11411015 | 236-29108 | 油窗 | Oil sight window | 1 |
| 5 | 11412034 | 236-29207 | 针杆油线板 | Oil wick support | 1 |
| 6 | 114S11011 | SS-6090620-TP | 齿轮箱盖螺钉 | Screw SM9/64"×40 L=6 | 1 |
| 7 | 20523003 | CQ-2000000-01 | 油线 | Oil wick | 1 |
| 8 | 11429002 | B3529-226-000 | 回油毡夹 | Oil felt presser | 1 |
| 9 | 10423002 | B3528-552-000 | 回油毡 | Oil return felt | 1 |
| 10 | 001038 | | O型圈3.5×2.4 | Rubber ring | 1 |
| 11 | 114S30015 | | 油量调节螺丝 | Oil adjusting screw | 1 |
| 12 | 10526003 | 236-28803 | 柱塞 | Plunger | 1 |
| 13 | 11427021 | 236-28902 | 柱塞弹簧 | Plunger spring | 1 |
| 14 | 114S30010 | 236-29009 | 插座螺钉 | Screw | 1 |
| 15 | 001003 | R0-0681901-00 | O型圈 | Rubber ring | 1 |
| 16 | 114S30009 | 236-29801 | 润滑连接器 | Lubrication connector | 2 |
| 17 | 12921006 | | 油管 | Tube | 1 |
| 18 | 12921006 | | 油管 | Tube | 1 |
| 19 | 11436005 | 236-29504 | 塑料三通管 | Distributon | 1 |
| 20 | 11421002 | 236-30007 | 油管 | Tube | 1 |
| 21 | 11412055 | 236-29306 | 油管卡簧 | Pipe stopper A | 4 |
| 22 | 101S11007 | | 螺钉 | Screw | 1 |
| 23 | 11412056 | | 油管压板 | Tube holder | 1 |
| 24 | 1141101100 | 236-28555 | 油箱组装图 | Oil tank asm. | 1 |
| 25 | 10128016 | | 垫片 | Washer | 1 |
| 26 | 114S11007 | SS-6700710-SH | 油箱螺钉 | Screw SM5/16"×24 L=7 | 1 |
| 27 | 101S11001 | SS-4120915-SP | 后窗板螺钉 | Screw SM3/16"×28 L=9 | 1 |
| 28 | 11412054 | 236-29405 | 油管卡簧 | Pipe stopper B | 3 |
| 29 | 11421006 | | 油管 | Tube | 1 |
| 30 | 11421006 | | 油管 | Tube | 1 |
| 31 | 11436006 | 236-29603 | 油口 | Oil melt | 1 |
| 32 | 11431005 | | 油标 | Floater asm. | 1 |
| 33 | 10122019 | R0-1952401-00 | 油窗O型圈 | Rubber ring | 1 |
| 34 | 11411014 | 236-28704 | 油量指示箱 | Floater case | 1 |
| 35 | 10128015 | | O型圈 | Rubber ring | 1 |
| 36 | 114S11011 | | 齿轮箱盖螺钉 | Gear box cover screw | 1 |
| 37 | S04S12057 | | 油窗压板 | Oil sight window holder | 1 |
| 38 | 101S11007 | | 螺钉 | Screw | 1 |
| 39 | 11411030 | | 油窗 | Oil sight window | 1 |
| 40 | 001003 | | O型圈 | Tube | 1 |
| 41 | 101S11007 | | 螺钉 | Screw | 1 |
| 42 | 11412056 | | 油管压板 | Tube holder | 1 |
| 43 | 101S11018 | | 螺钉 | Screw | 1 |
| 44 | 11412058 | | 磁铁压板 | Magnet holder | 1 |
| 45 | 11401020 | | 磁铁 | mangnet | 1 |

九、自动倒回缝组件 Automatic reverse feed components



九、（一）小鸟巢电磁铁组件（8990DN-3SS）（8990DN-4SS）



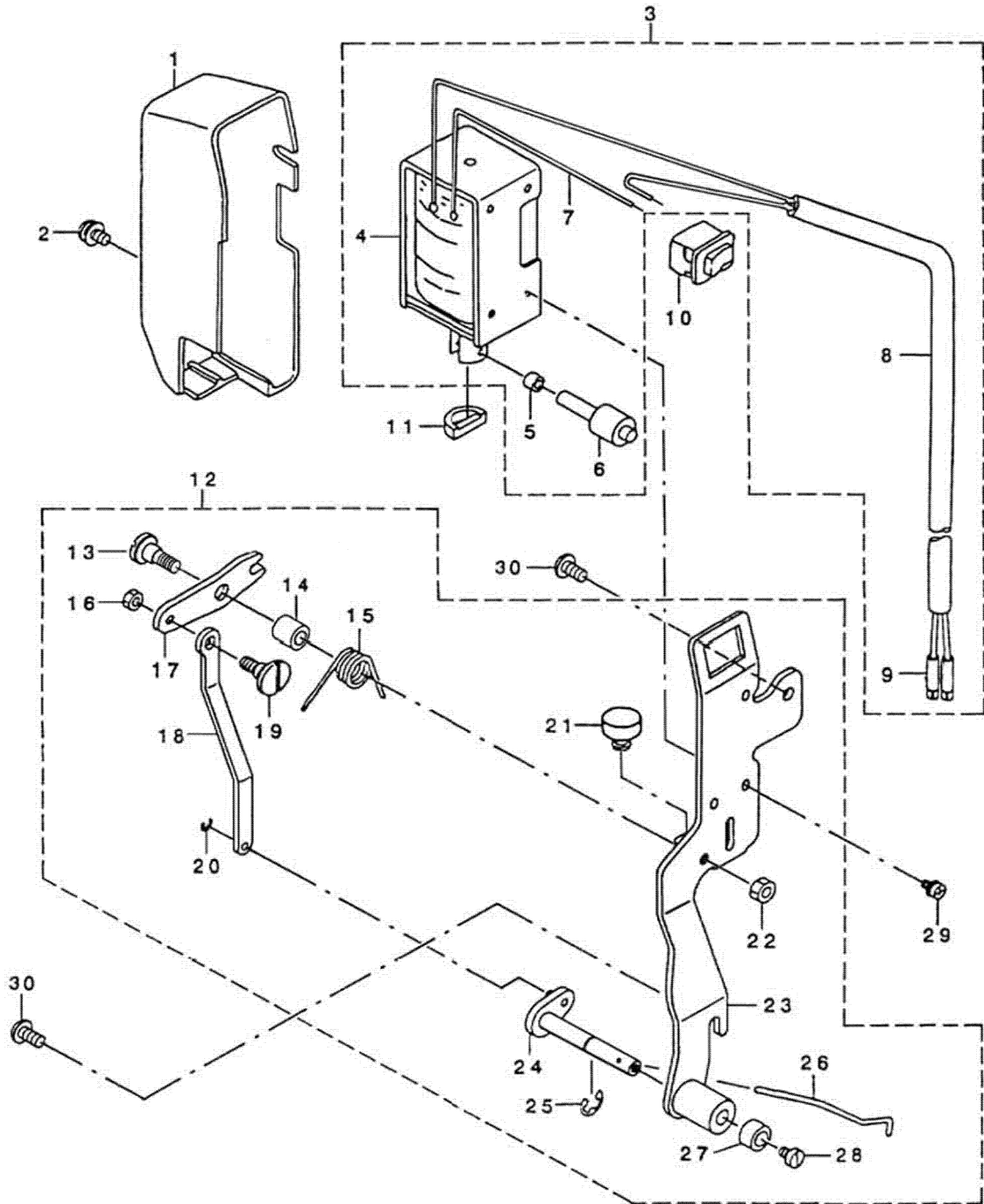
九、自动倒回缝组件 Automatic reverse feed components

| 序号 Ref.No. | 件号 PartNo. | 参考件号 Ref.Part No. | 名 称 | Description | 数量 Amt. |
|---------------|---------------|----------------------|-------------------|---------------------------------|------------|
| 1 | | | | | |
| 2 | 11412035 | 236-31203 | 倒送料电磁铁挂板 | Reverse feed solenoid base | 1 |
| 3 | 101S11026 | SS-4150915-SP | 螺钉SM15/64"×28 L=9 | Screw SM15/64"×28 L=9 | 2 |
| 4 | 1143000800 | | 自动倒送料电磁铁组件 | Reverse feed solenoid base asm. | 1 |
| 5 | 11430009 | 236-31005 | 自动倒送料电磁铁 | Reverse feed solenoid | 1 |
| 6 | 11430011 | HK-0346400-0B | 插针 | Pim contact | 2 |
| 7 | 11430022 | 236-31104 | 自动倒送料电磁铁电磁杆 | Reverse feed solenoid plunger | 1 |
| 8 | 11222006 | D2468-555-B00 | 橡皮垫圈 | Rubber plunger | 1 |
| 9 | W02004 | WP-1703001-SC | 垫圈16 | Washer | 1 |
| 10 | H05014 | RE-1200000-K0 | 开口挡圈 | E-ring | 1 |
| 11 | 11404021 | 236-31302 | 倒送料臂 | Reverse feed arm | 1 |
| 12 | 114S20006 | SD-0951501-SP | 铰链螺钉 | Screw | 1 |
| 13 | 114S16008 | NS-6110350-SP | 螺母 | Nut | 2 |
| 14 | 114S20005 | 113-14408 | 活塞销 | Plunger arm pin | 1 |
| 15 | 1143300200 | 236-31757 | 自动倒送料开关组件 | Reverse feed switch asm. | 1 |
| 16 | 11412036 | 236-32003 | 倒送料开关支架 | Reverse feed switch base | 1 |
| 17 | 11412037 | 236-32102 | 倒送料开关支架导向板 | Reverse feed switch base guide | 1 |
| 18 | 11411016 | 236-31708 | 倒送料开关护罩 | Reverse feed switch cover | 1 |
| 19 | 101S11025 | SS-7110740-TP | 螺钉SM11/64"×40 L=7 | Screw SM11/64"×40 L=7 | 1 |
| 20 | 11411017 | 236-31807 | 倒送料开关按钮 | Reverse feed switch shaft | 1 |
| 21 | 11411018 | 236-31906 | 倒送料开关跳板 | Reverse feed switch support | 1 |
| 22 | 11430013 | 236-32250 | 自动倒送料开关 | Reverse feed cord asm. | 1 |
| 23 | 11430014 | HK-03464101-40 | 接线器 | Housing 14P | 1 |
| 24 | 11211005 | EA-9500B01-00 | 电线卡箍 | Cable band | 1 |
| 25 | 101S11001 | SS-4120915-SP | 螺钉SM3/16"×28 L=9 | Screw SM3/16"×28 L=9 | 1 |

九、（一）小鸟巢电磁铁组件（8990DN-3SS）（8990DN-4SS）

| 序号 Ref.No. | 件号 PartNo. | 参考件号 Ref.Part No. | 名 称 | Description | 数量 Amt. |
|---------------|---------------|----------------------|---------|---------------------|------------|
| 26 | 1143002600 | | 夹线电磁铁组件 | Solenoid components | 1 |
| 27 | S10008 | | 螺钉 | Screw | 1 |
| 28 | 11413013 | | 左线勾 | | 1 |

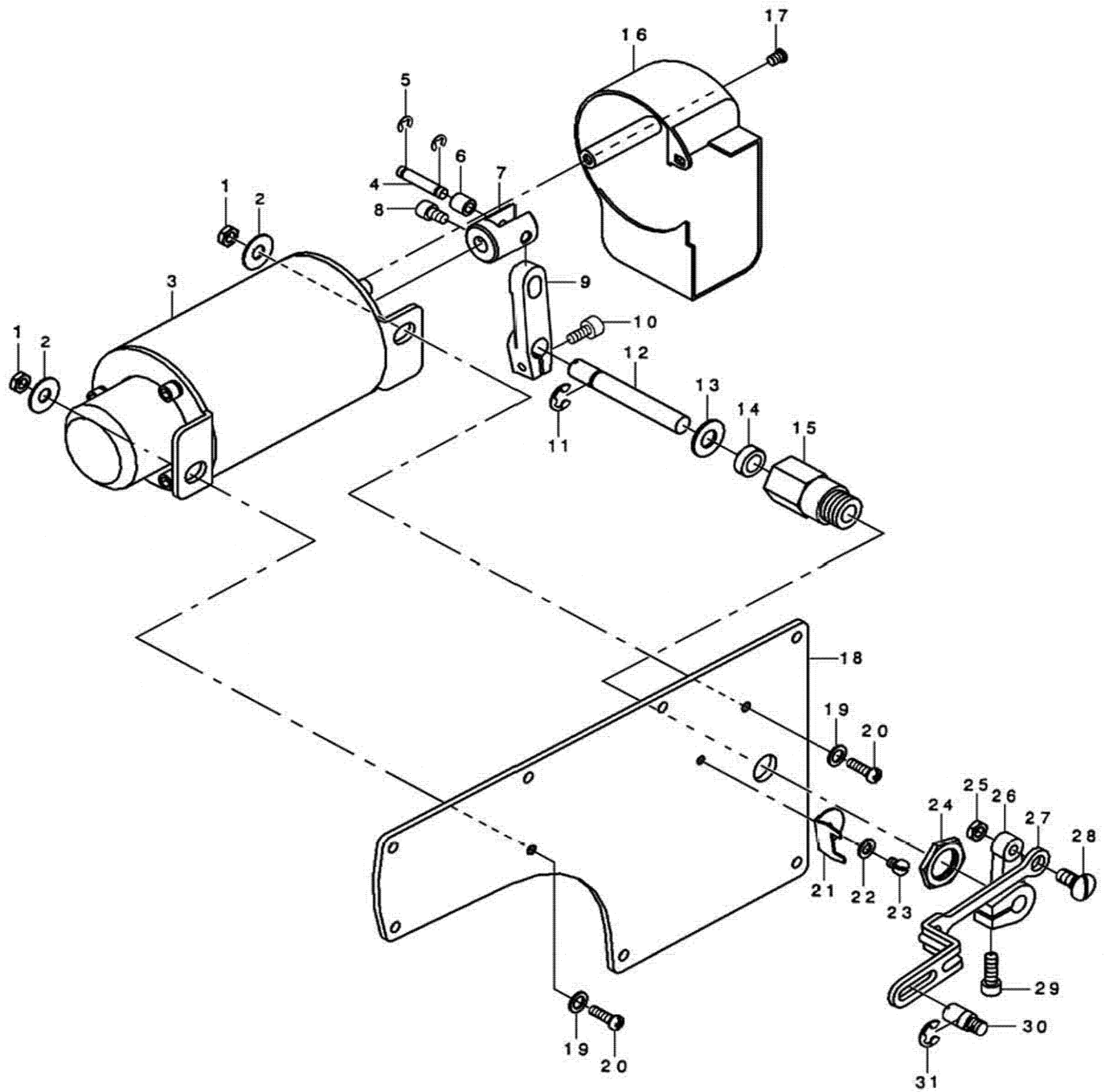
十、自动挑线组件 Automatic wiper components



十、自动挑线组件 Automatic wiper components

| 序号 Ref.No. | 件号 PartNo. | 参考件号 Ref.Part No. | 名称 | Description | 数量 Amt. |
|---------------|---------------|----------------------|------------------|---------------------------|------------|
| 1 | 11211003 | 110-72709 | 罩壳 | Wiper cover | 1 |
| 2 | S04008 | SL-4030621-SS | 螺钉M3×6 | Screw M3×6 | 1 |
| 3 | 1123001000 | | 拨线电磁铁组件 | Wiper solenoid asm. | 1 |
| 4 | 11230010 | 111-10301 | 拨线电磁铁 | Wiper solenoid | 1 |
| 5 | 11408012 | 111-11804 | 滑动衬套 | Wiper link collar | 1 |
| 6 | 11426015 | 111-12000 | 拨线传动销 | Wiper solenoid pin | 1 |
| 7 | 11430019 | HW-2003900-00 | 电线 | Electric wire | 1 |
| 8 | 11430020 | HW-5000700-00 | 电线 | Electric wire | 1 |
| 9 | 11430018 | HK-0346400-0B | 电线插针 | Pim contact | 2 |
| 10 | 11230011 | HA-0005900-00 | 开关 | Power switch | 1 |
| 11 | 11222008 | 111-10509 | 橡皮垫 | Wiper rubber B | 1 |
| 12 | 1141206200 | | 拨线电磁铁支架组件 | Wiper base asm. | 1 |
| 13 | 114S20008 | SD-0650321-TP | 轴位螺钉 | Screw D=6.5 H=3.2 | 1 |
| 14 | 11408010 | 111-10707 | 复位衬套 | Wiper hinge screw collar | 1 |
| 15 | 11427022 | 111-10806 | 复位弹簧 | Wiper spring | 1 |
| 16 | 114S16009 | NS-6090310-SP | 轴位螺钉螺母 | Nut SM9/64"×40 | 1 |
| 17 | 11412036 | 111-10608 | 拨线传动板 | Wiper link A | 1 |
| 18 | 11405012 | 236-33209 | 拨线连杆 | Wiper link B | 1 |
| 19 | 114S20007 | 111-11507 | 轴位螺钉 | Wiper link B, hinge screw | 1 |
| 20 | H05019 | RE-0250000-K0 | 开口挡圈2.5 | E-ring | 1 |
| 21 | 11230010 | 111-10400 | 橡皮垫块 | Wiper rubber A | 1 |
| 22 | 114S16010 | NS-6110310-SP | 轴位螺钉螺母 | Nut SM11/64"×40 | 1 |
| 23 | 11412036 | 236-33159 | 拨线电磁铁支架 | Wiper base | 1 |
| 24 | 1140402200 | 236-33357 | 拨线驱动轴组件 | Wiper shaft asm. | 1 |
| 25 | H05006 | RE-0500000-K0 | 挡圈5 | E-ring | 1 |
| 26 | 11413008 | 111-11606 | 拨线钩 | Wiper | 1 |
| 27 | 11408011 | 111-11309 | 拨线钩挡圈 | Bracket installing collar | 1 |
| 28 | 114S11005 | SS-6090540-SP | 螺钉SM9/64"×40 L=5 | Screw SM9/64"×40 L=5 | 1 |
| 29 | S04008 | SL-4030641-SE | 螺钉M3×6 | Screw M3×6 | 3 |
| 30 | 114S30011 | SS-4120915-SP | 螺钉SM3/16"×28 L=9 | Screw SM3/16"×28 L=9 | 2 |

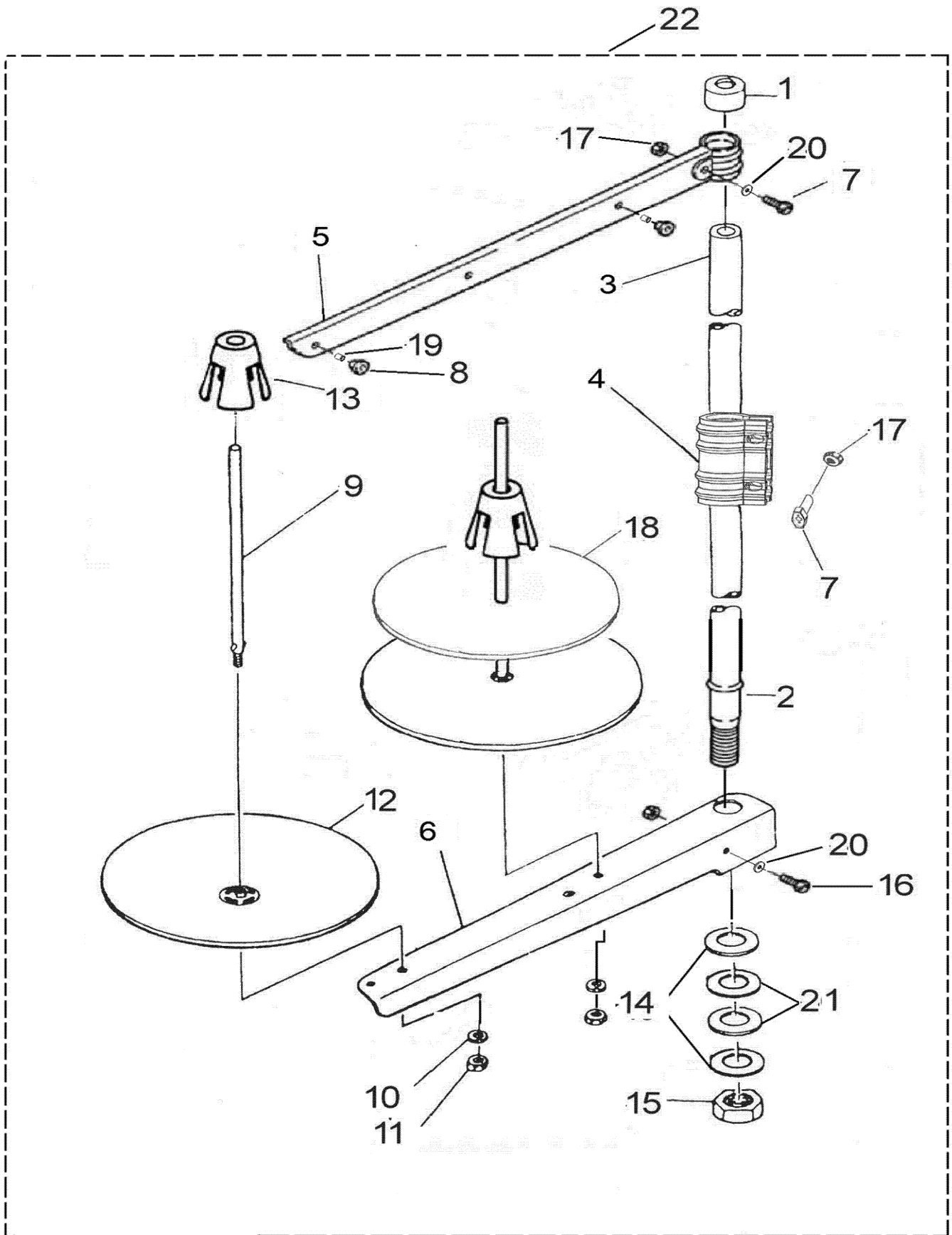
十一、自动抬压脚组件 Auto lifter components



十一、自动抬压脚组件 Auto lifter components

| 序号 Ref.No. | 件号 PartNo. | 参考件号 Ref.Part No. | 名称 | Description | 数量 Amt. |
|---------------|---------------|----------------------|------------|------------------------------|------------|
| 1 | 112S26012 | | 支承螺钉小螺母 | Nut | 2 |
| 2 | 11428007 | | 垫片 | Washer | 2 |
| 3 | 11230013 | | 自动抬压脚电磁铁组件 | Magnetic plug asm. | 1 |
| 4 | 11226007 | | 电磁铁曲柄销 | Magnetic plugpin | 1 |
| 5 | H05003 | | 挡圈 | E-ring | 2 |
| 6 | 11203003 | | 曲柄套筒 | Sleeve | 1 |
| 7 | 11201003 | | 电磁铁芯轴接头 | Magnetic plug pin tie-in | 1 |
| 8 | S05038 | | 接头螺钉 | Screw | 1 |
| 9 | 11204005 | | 电磁铁曲柄 | Magnetic crank | 1 |
| 10 | S05013 | | 螺钉 | Screw | 1 |
| 11 | H05011 | | 挡圈 | E-ring | 1 |
| 12 | 11202003 | | 自动抬压脚轴 | Automated presser foot shaft | 1 |
| 13 | 11228003 | | 套筒垫片 | Washer | 1 |
| 14 | 11222016 | | 油封 | Oil seal | 1 |
| 15 | 11203002 | | 套筒 | Sleeve | 1 |
| 16 | 11211006 | | 自动抬压脚罩壳 | Wiper cover | 1 |
| 17 | S04022 | | 罩壳螺钉 | Screw | 2 |
| 18 | 300253 | | 后窗板（喷漆） | Slide plate | 1 |
| 19 | 11228001 | | 支承架支承螺钉垫片 | Washer | 1 |
| 20 | 112S11015 | | 支承架支承螺钉 | Screw | 1 |
| 21 | 11212037 | | 拉杆支架 | Pull rod bracket | 1 |
| 22 | 11228002 | | 拉杆支架垫片 | Pull rod bracket washer | 1 |
| 23 | 112S16014 | | 拉杆支架紧固螺钉 | Screw | 1 |
| 24 | 112S16011 | | 套筒螺母 | Nut | 1 |
| 25 | 112S16012 | | 拉杆螺母 | Nut | 1 |
| 26 | 11204004 | | 自动抬压脚曲柄 | Crank | 1 |
| 27 | 11412053 | | 自动抬压脚拉杆 | Pull rod | 1 |
| 28 | 112S20008 | | 拉杆螺钉 | Screw | 1 |
| 29 | S05004 | | 螺钉 | Screw | 1 |
| 30 | 112S20009 | | 抬压脚拉杆螺钉 | Screw | 1 |
| 31 | H05013 | | 挡圈 | E-ring | 1 |

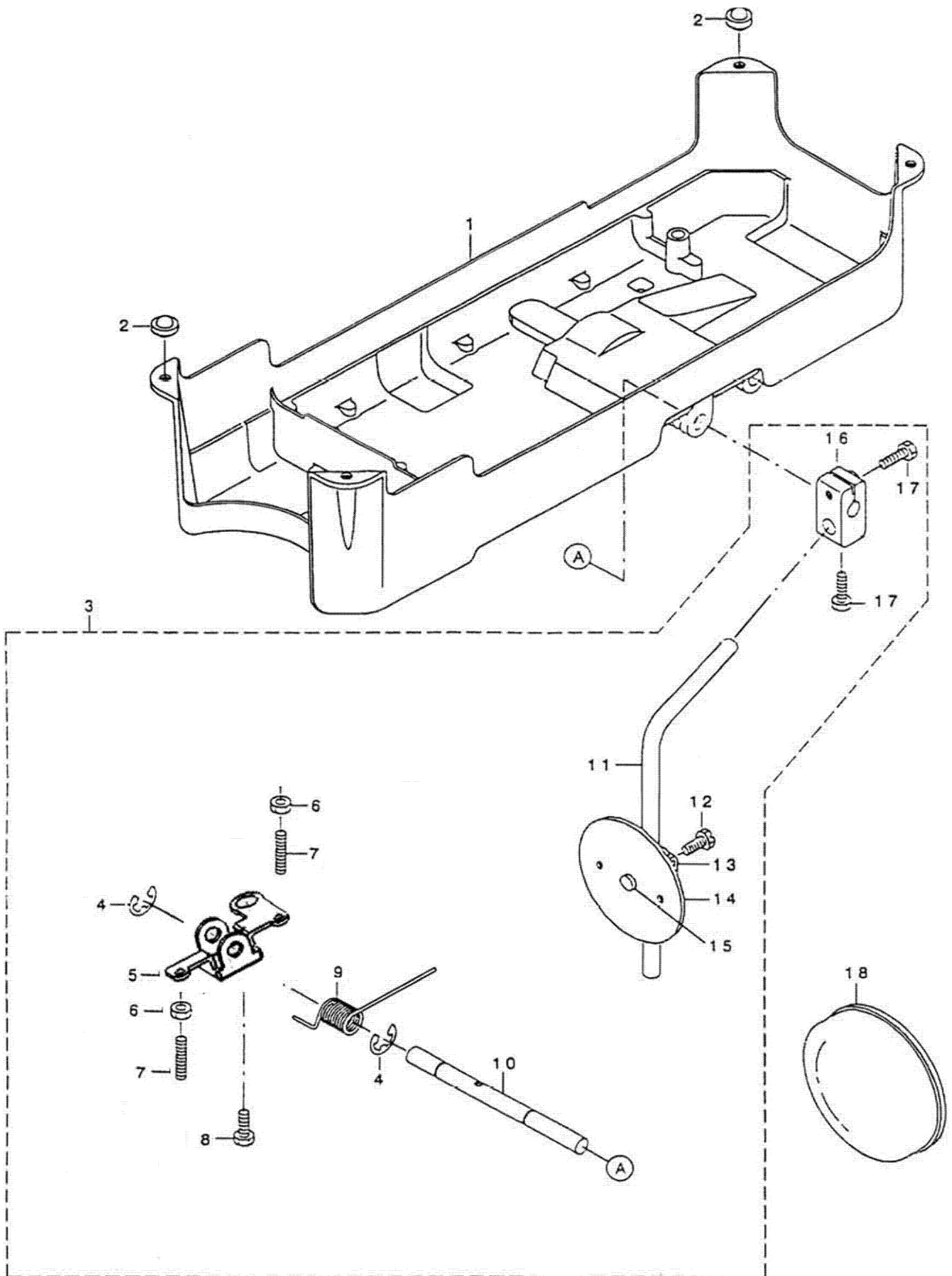
十二、线架组件 Thread stand components



十二、线架组件 Thread stand components

| 序号 Ref.No. | 件号 PartNo. | 参考件号 Ref.Part No. | 名 称 | Description | 数量 Amt. |
|---------------|---------------|----------------------|----------|---------------------------|------------|
| 1 | 20131019 | | 线架杆顶防护橡皮 | Spool rest rod rubber cap | 1 |
| 2 | 20131002 | | 线架杆下节 | Spool rest rod (lower) | 1 |
| 3 | 20131001 | | 线架杆上节 | Spool rest rod (upper) | 1 |
| 4 | 20131003 | | 线架杆接头 | Spool rested joint | 1 |
| 5 | 10112040 | | 上线架过线杆 | Thread guide asm. | 1 |
| 6 | 10112057 | | 下线架过线杆 | Thread guide asm. | 1 |
| 7 | S04050 | | 螺钉 | Screw | 3 |
| 8 | 10113010 | | 过线圈(外) | Thread guide ring | 2 |
| 9 | 20131006 | | 线盘钉 | Spool pin | 2 |
| 10 | W02027 | | 弹簧垫圈 | Spring washer | 2 |
| 11 | N01034 | | 螺母 | Nut | 2 |
| 12 | 20131007 | | 线盘 | Spool rest | 2 |
| 13 | 20131008 | | 线团防松垫 | Spool vibration stopper | 2 |
| 14 | W01048 | | 垫圈 | Washer | 2 |
| 15 | N02004 | | 螺母 | Nut | 1 |
| 16 | S04051 | | 螺钉 | Screw | 1 |
| 17 | N01034 | | 螺母 | Nut | 4 |
| 18 | 20131010 | | 线盘垫 | Spool rest cushion | 2 |
| 19 | 10113011 | | 过线圈(内) | Thread guide ring | 2 |
| 20 | W01047 | | 垫圈 | Washer | 2 |
| 21 | 10122106 | | 橡胶垫圈 | Washer | 2 |
| 22 | 1013100700 | | 线架组件 | Thread Stand Components | 1 |

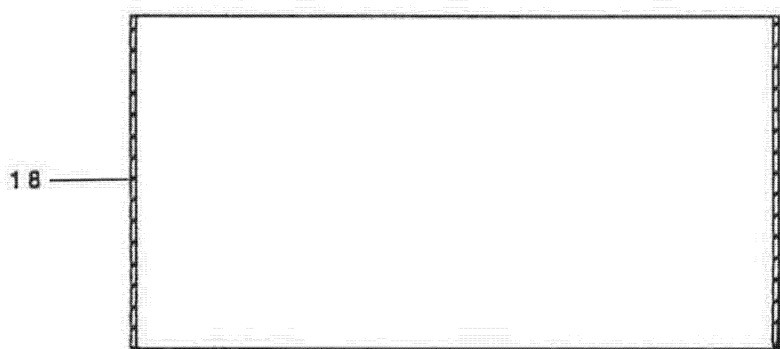
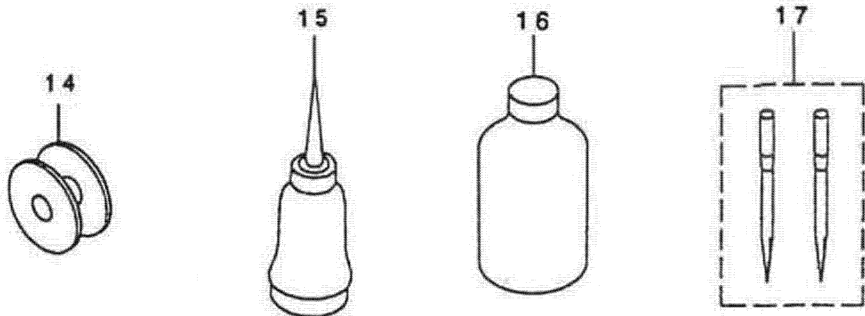
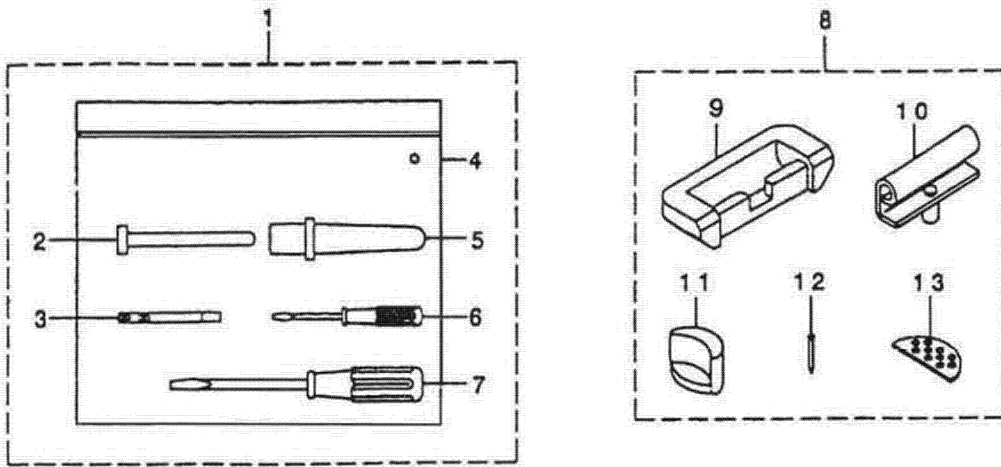
十三、底盘膝抬压脚组件 Under cover & lifter components



十三、底盘膝抬压脚组件 Under cover & lifter components

| 序号 Ref. No. | 件号 PartNo. | 参考件号 Ref. Part No. | 名 称 | Description | 数量 Amt. |
|----------------|---------------|-----------------------|------------|------------------------|------------|
| 1 | 11401008 | 236-39008 | 底盘 | Under cover | 1 |
| 2 | 10122022 | 101-62600 | 机头座垫 | Rubber cushion | 4 |
| 3 | 1141204000 | | 膝控组件 | Knee lifter asm. | 1 |
| 4 | H05001 | RE-1000000-K0 | 挡圈10 | E-ring | 2 |
| 5 | 11404025 | 236-39206 | 膝抬压脚曲柄 | Connecting rod | 1 |
| 6 | N01007 | NM-6060001-SE | 螺母M6 | Nut M6 | 2 |
| 7 | 114S12003 | | 螺钉M6 L=40 | Screw M6 L=30 | 2 |
| 8 | 101S12002 | | 螺钉 | Screw | 1 |
| 9 | 11427023 | 236-39503 | 弹簧 | Spring | 1 |
| 10 | 11402023 | 236-39305 | 膝抬压脚轴（长） | Knee press rod (long) | 1 |
| 11 | 10112028 | 236-34608 | 操纵杆 | Knee pad upright shaft | 1 |
| 12 | 101S12004 | SM-9061203-SE | 螺钉M6 L=12 | Screw M6 L=12 | 1 |
| 13 | 10112030 | 229-34301 | 操纵杆接头 | Knee pad plate support | 1 |
| 14 | 10112029 | 229-34202 | 操纵板 | Knee pad plate | 1 |
| 15 | 10122025 | 229-34400 | 操纵杆垫 | Knee pad plate rubber | 1 |
| 16 | 10101009 | 229-32404 | 抬压脚操纵杆十字节头 | Bracket | 1 |
| 17 | 101S2003 | SM-9062053-SR | 螺钉M6 L=20 | Screw M6 L=20 | 2 |
| 18 | 10122024 | 229-34509 | 操纵板软垫 | Knee pad plate cover | 1 |

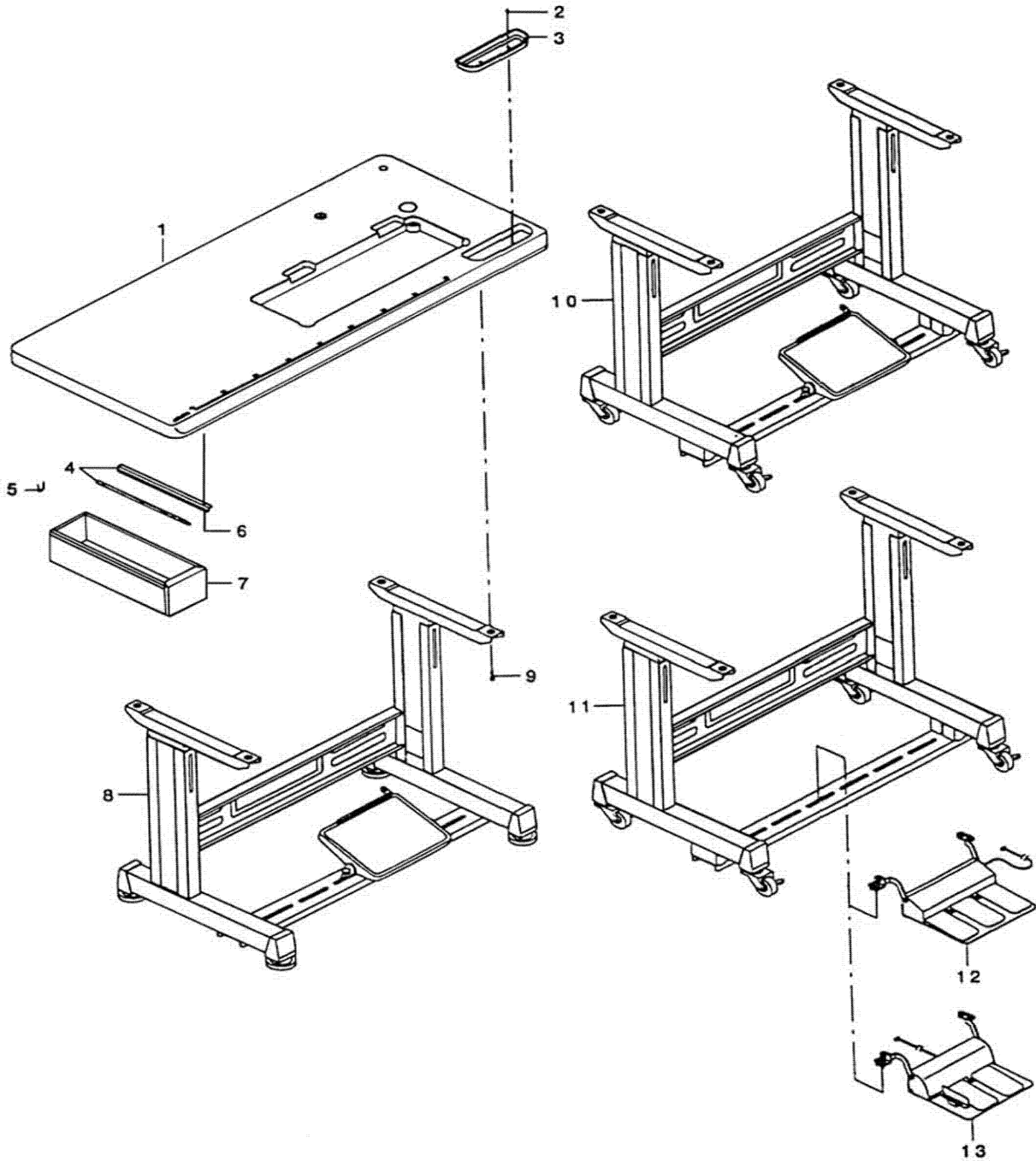
十四、附件组件 Accessorie part components



十四、附件组件 Accessorie part components

| 序号 Ref. No. | 件号 PartNo. | 参考件号 Ref. Part No. | 名 称 | Description | 数量 Amt. |
|----------------|---------------|-----------------------|---------|-------------------------|------------|
| 1 | 1143100600 | 236-39750 | 附件包部件 | Accessorie bag asm. | 1 |
| 2 | 11411023 | 236-39701 | 抬压脚顶销 | kneelifter presser rod | 1 |
| 3 | 11212001 | 229-58300 | 过线柱 | Needle thread guide pin | 1 |
| 4 | 11431007 | 229-32800 | 附件包 | Accessorie bag | 1 |
| 5 | 10111011 | 229-31604 | 机头支柱 | Frame support bar | 1 |
| 6 | 10131004 | 229-33204 | 螺丝刀（小） | Screw driver, small | 1 |
| 7 | 10131003 | 229-33105 | 螺丝刀（中） | Screw driver, middle | 1 |
| 8 | 1011203100 | 229-58052 | 机头连接钩部件 | Tuvver higne asm. | 1 |
| 9 | 10122026 | 229-26000 | 机头连接座钩 | Rubber cushion | 2 |
| 10 | 10112031 | 229-26356 | 机头连接钩 | Higne compl | 2 |
| 11 | 10122031 | 229-58003 | 机头座垫 | Rubber cushion | 2 |
| 12 | 101S30010 | 229-26208 | 机头连接钩座钉 | Rubber cushion nail | 8 |
| 13 | 10122022 | 229-26505 | 油盘座垫 | Washer | 2 |
| 14 | 10118003 | B9117-552-A00 | 梭心 | Bobbin | 2 |
| 15 | 11631008 | B9121-012-0A0 | 油壶 | Oiler asm | 1 |
| 16 | 11411027 | MDF-R×1600C0 | 大油壶 | Defrix oil No.1 | 1 |
| 17 | 10117001 | | 机针14# | Needle DB×1#14-2 | 4 |
| 18 | 40131017 | | 保护袋 | Frame vinyl cover | 1 |

十五、机架、台板组件 Table & Stand components



十五、机架、台板组件 Table & Stand components

| 序号 Ref. No. | 件号 PartNo. | 参考件号 Ref. Part No. | 名 称 | Description | 数量 Amt. |
|----------------|---------------|-----------------------|--------|-----------------------|------------|
| 1 | 11432001 | 236-42200 | 台板 | Table | 1 |
| 2 | 114S30014 | SK-3382001-SC | 木螺钉 | Wood screw D=3.8 L=20 | 4 |
| 3 | 11431012 | 111-56007 | 盒子 | Case | 1 |
| 4 | 11431015 | 111-55207 | 抽屉支架 | Drawer support | 2 |
| 5 | 11431017 | D8204-555-D00 | 抽屉定位块 | Drawer support | 1 |
| 6 | 114S30012 | SK-3311600-SE | 木螺钉 | Wood screw D=3.1 L=16 | 4 |
| 7 | 11431014 | 111-55108 | 抽屉 | Drawer | 1 |
| 8 | 11432003 | 111-57567 | 台板架 | T-leg junction | 1 |
| 9 | 114S30013 | SK-3513200-SC | 木螺钉 | Wood screw D=5.1 L=32 | 4 |
| 10 | 11432004 | 111-59365 | 滑动板架 | T-stand junction | 1 |
| 11 | 11432005 | 111-59357 | 滑动架部件 | T-stand asm. | 1 |
| 12 | 11432006 | GPK-700010A0 | 3-连接踏板 | 3-Foint pekal, 70 | 1 |
| 13 | 11432007 | GPK-710010A0 | 2-连接踏板 | 2-Foint pekal 71 | 1 |